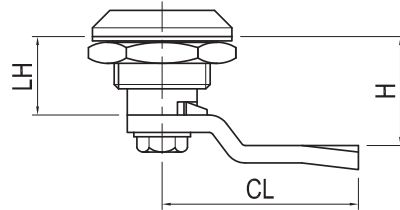
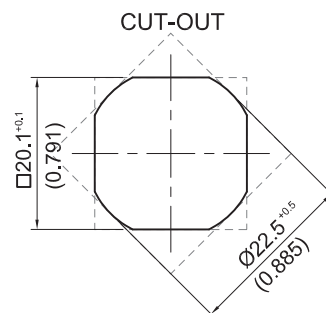
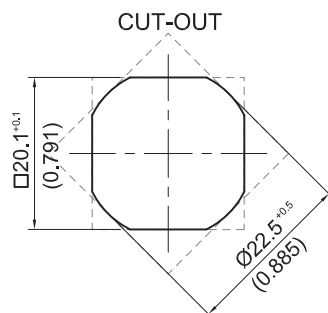
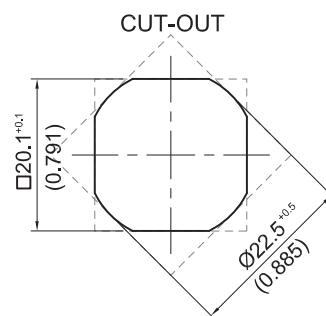
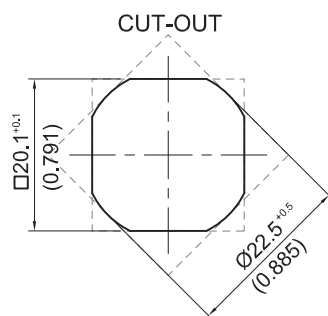
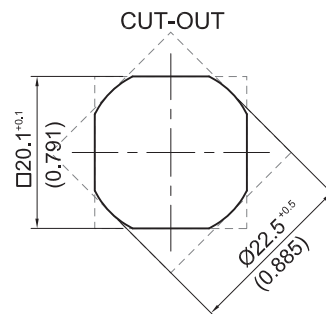
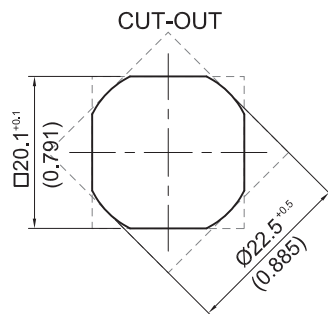


STANDARD 22.5MM DIA HOUSING QUARTER TURN - CUTOUT TEMPLATE

TO SUIT: QUARTER TURNS, WING HANDLES, WING KNOBS,
TEAR DROP QTR. TURNS & COMPRESSION QTR. TURNS

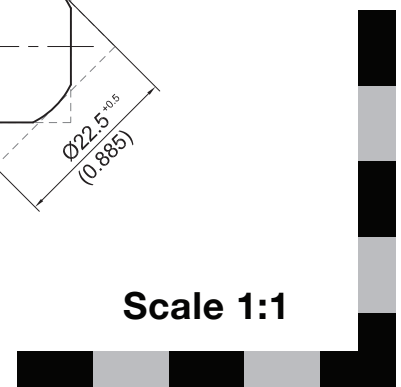


Please Select "Do Not Scale" or "Actual Size" options in Print Menu



SELECTLOK®

Scale 1:1



Each bar = 10mm

Each bar = 10mm