

DUAL PADLOCKABLE WING KNOB



FEATURES:

- Reduced installation time
- Fully assembled
- Suit up to 8mm pad lock
- Marine grade Stainless Steel 316

DIMENSIONS:

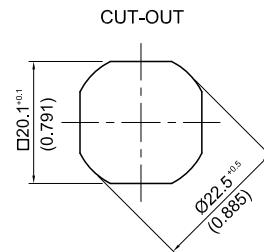
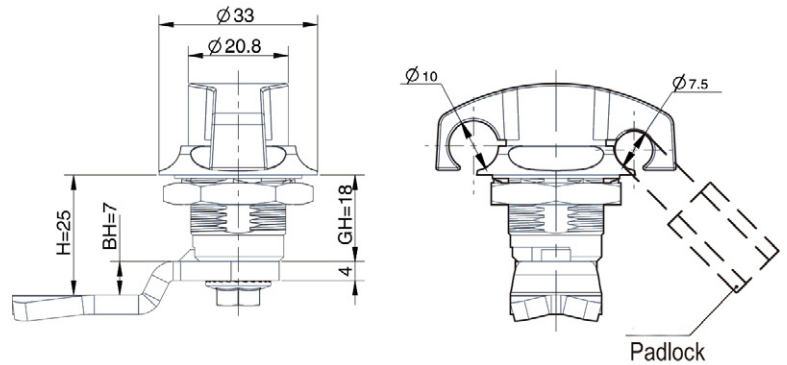
Housing Length = 18mm

MATERIAL & FINISH:

Housing Stainless Steel 316
 Insert Stainless Steel 316
 Cam Stainless Steel 316

CAM DIMENSIONS:

Standard cam included H=25mm
 Other variations available on request
 Refer to [page 1-16](#) when ordering



Convert to compression style with [PI5124](#) (page 2-14)

MATERIAL/FINISH	PART NUMBER
Stainless Steel 316	ALWU06A-2-316