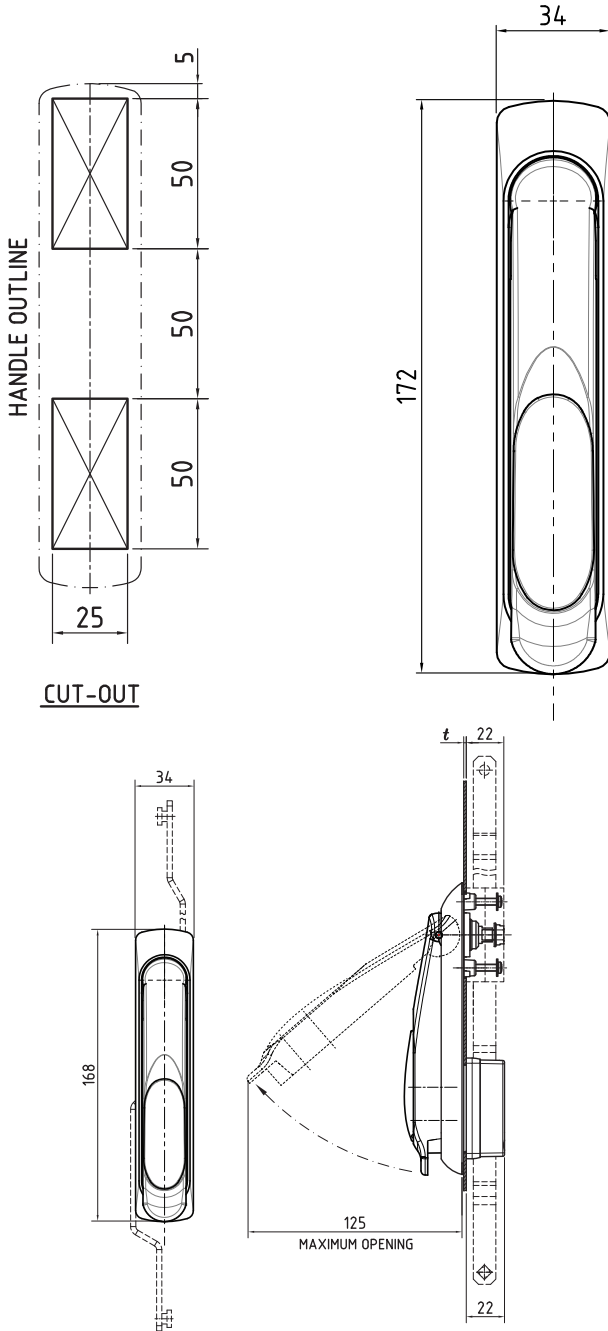


## IND-C SERIES SWITCHUP SWING HANDLE



### FEATURES:

- Easily SwitchUp between padlockable, non locking, keyed, oval profile or euro profile
- Non locking without insert
- Vandal resistant
- Dust cover included
- Park position with “click”
- Semi flush
- IP65 rated
- Suits rod latch

### MATERIAL & FINISH:

Handle	Stainless Steel 316
Base	Stainless Steel 316
Shaft	Stainless Steel 316
Cover	Stainless Steel 316

### STANDARD LATCH/CAMS AVAILABLE:

- [Single point cam with various “H” dimension](#)
- [HMS103C-1-1 Rod latch mechanism with square quick fit stubs](#)
- [HMS103C-1-1-R Rod latch mechanism with round rod stubs](#)
- [Roller cams refer to page 3-1](#)

Product with part number :  
1107SCCU3-IND-C-xx “PASS” IP65  
Test



KIT	ANGLE OF ROTATION	PART NUMBER
Rectangular Boss without Stopper and Shaft Adapter	360°	PI5285-KIT
Rectangular Boss with Stopper and Shaft Adapter	180°	PI5285-KIT-1

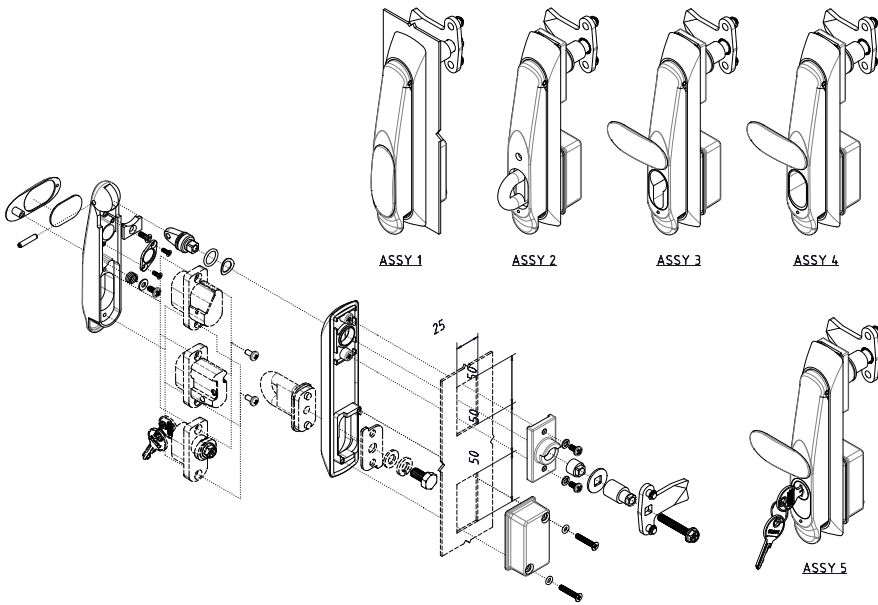
\* Kit sold separately

Door Material Thickness  $t$  (mm)  $1.5 \leq t < 2.5^*$

BASE FINISH	HANDLE FINISH	PART NUMBER
Stainless Steel 316	Stainless Steel 316	1107SSSU0-IND-C

\* Add Shaft Spacer (Part No. PI5285-06) For 2.5-3.5mm Door Material Thickness (Sold Separately)

## SELECTLOK SWITCHUP INSERTS



Selectlok's new SwitchUp system makes choosing, fitting and replacing swing handles even easier. Our new high quality swing handles are modular, allowing your most popular lock inserts to be easily changed without having to replace the handle.

Rather than needing to keep a variety of swing handles on hand you only need one swing handle and a handful of inserts to meet your clients changing demands.

### FEATURES:

- Easily SwitchUp between padlockable, non locking, keyed, oval profile or euro profile
- Buy bulk quantities of swing handles and change the locking inserts as needed
- Swap over locking inserts in the field with just a screwdriver
- Locking inserts can be used in other SwitchUp handles
- Environmentally friendly - if the locking mechanism breaks, just replace the insert, not the whole handle
- Custom inserts can be designed on request

INSERT TYPE	MATERIAL	PART NUMBER
Padlockable	Stainless Steel 316	1107SSSIN-PAD
Euro Profile Cylinder	Stainless Steel 316	1107SSSIN-U3
Oval Profile Cylinder	Stainless Steel 316	1107SSSIN-A3
Keyed CL001	Stainless Steel 316	1107SSSIN-01
Keyed 92268	Stainless Steel 316	1107SSSIN-02
Keyed CL003	Stainless Steel 316	1107SSSIN-07
Keyed Mixed	Stainless Steel 316	1107SSSIN-0M

