

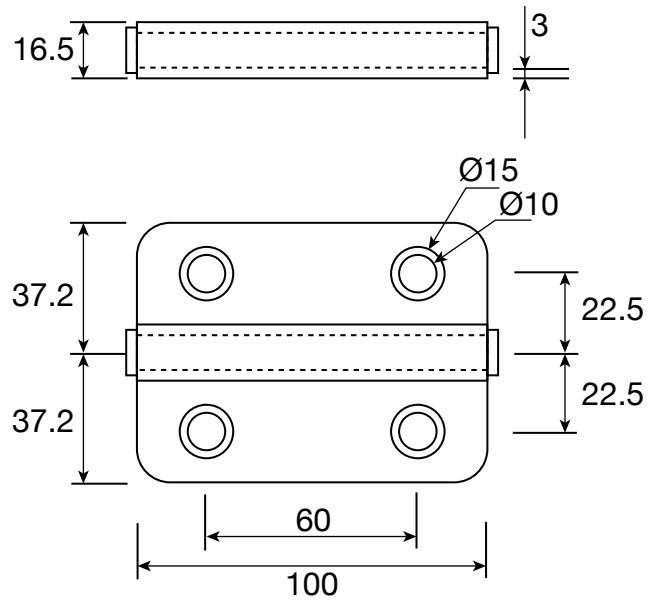
HINGE

FEATURES:

- Lift-off hinge with washer
- Material: Stainless steel
- Other size upon request



SELECTLOK
STAINLESS
STEEL

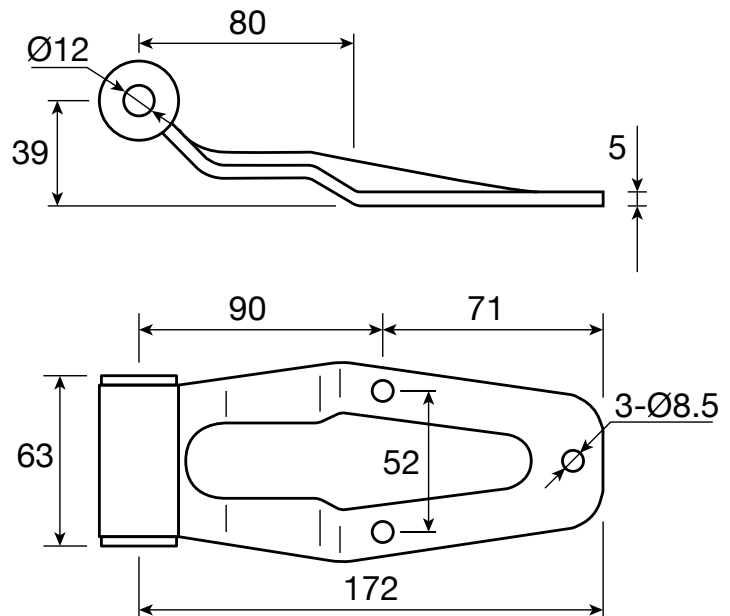


MATERIAL	OPENING	PART NUMBER
Stainless steel	Right	HIB100x75R-SS
Stainless steel	Left	HIB100x75L-SS

HINGE

FEATURES:

- Material: Steel
- Weight: Steel = 0.582kg
- Surface: Zinc plated/Polished



MATERIAL	FINISH	PART NUMBER
Steel	Zinc plated	111031