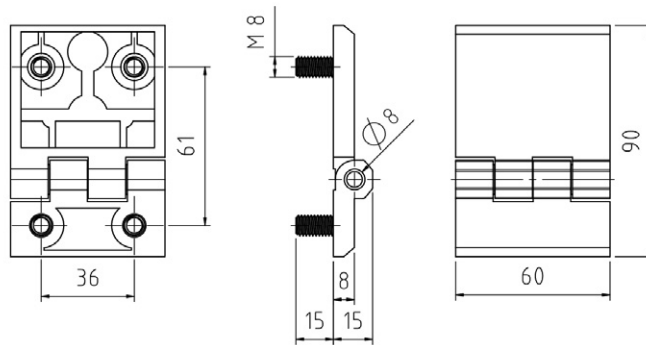
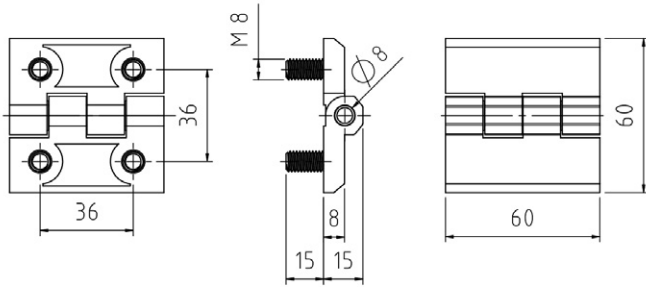


# SCREW-ON HINGE



## FEATURES:

- Zinc die cast
- Stainless steel pin
- High quality black powder coated
- For flush mounted doors

## DIMENSIONS:

Studs = M8

## MATERIAL

Hinge Zinc die cast  
Pin Stainless steel

## FINISH:

Black coated or Chrome plated  
(Orange peel finish)

Please note:

- Combination of studs + countersunk mounting available on request
- Minimum order quantities apply

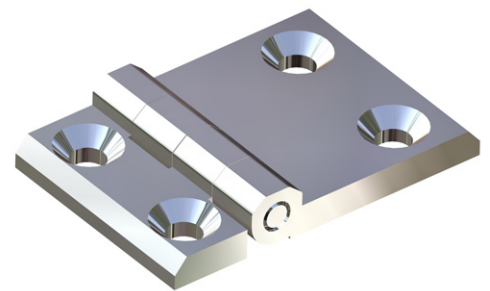


Photo shows front fixing

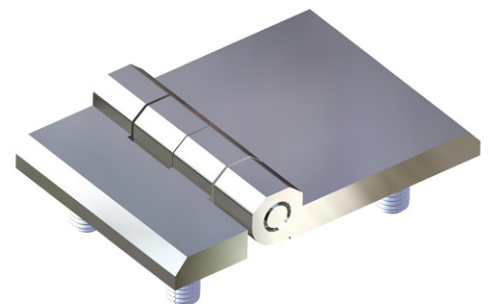


Photo shows rear fixing

Dimension	Finish	Fixing Method	PART NUMBER
40x40mm	Black EDP Coated	Rear Fixing	M299-1-2-1
40x40mm	Black EDP Coated	Front Fixing	M299-1-2-3
50x50mm	Black EDP Coated	Rear Fixing	M099-1-2-1
50x60mm	Chrome Plated	Rear Fixing	M099-2-2-2
60x60mm	Black EDP Coated	Rear Fixing	PI5367-03-B
60x60mm	Chrome Plated	Rear Fixing	PI5367-03-C
60x90mm	Black EDP Coated	Rear Fixing	M399-1-2-2
60x120mm	Chrome Plated	Front Fixing	M399-1-1-6
60x120mm	Black EDP Coated	Rear Fixing	M399-1-2-3