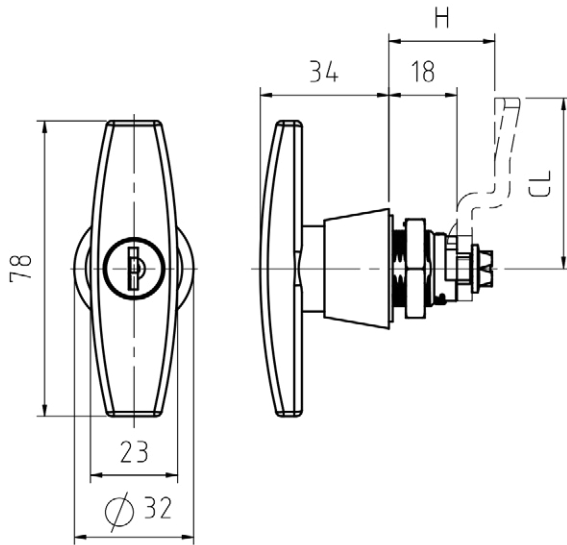


CUTOUT



T HANDLE

FEATURES:

- RH or LH application
- 90° rotation
- Key locking and non locking option available
- IP65 rated
- Available in marine grade Stainless Steel 316

MATERIAL & FINISH:

Housing Zinc Die, Chrome Plated
 Nut Zinc Die, Zinc Plated
 Handle Zinc Die, Chrome Plated

Housing Stainless Steel 316
 Nut Stainless Steel 316
 Handle Stainless Steel 316

CAMS AVAILABLE:

- 3 point Stainless Steel cam included for Stainless Steel
- Cams ordered separately for Zinc die
- Single point cam with various 'H' dimensions (refer to [page 1-16](#) when ordering)
- 3 point cams with various 'H' dimensions (refer to [page 3-7](#) when ordering)



KEY NUMBER	MATERIAL	PART NUMBER
CL001	Zinc Die	M110-1-1-CL001-00
92668	Zinc Die	M110-1-1-92268-00
Non-Locking	Stainless Steel 316	SEL-200-9374