

MIDNIGHT V3 MINI

Whale Tail Handle

Features

- Approx. 30% smaller than the full-sized Midnight V3 whale tail
- Adjustable roller cam (nylon)
- Grip range: (H=) 20mm ~ 55mm
- M5 cast-in studs - rear fixing, high tensile
- Heavy-duty stainless steel main shaft
- Available in high-security automotive-style key or high-security Euro profile cylinder (sold separately)
- Pad-lockable hasp for additional security
- Commonly used industry cutout template
- Central locking kits available (sold separately)
- IP65



Dimensions

- 110mm (H) x 110mm (W) x 78.4mm (D)

Materials & Finish

- Housing: Mild steel, zinc plated
- Handle & dish: Zinc die, zinc plated
- Main shaft material: Stainless steel 304
- Handle & dish finish: Black EDP coated or chrome plating

Remarks

- New modern design
- Ergonomic and secure handle
- Die-cast dish and handle
- Suitable for single or multi-point locking
- Designed in Australia for Australian conditions
- Design patent registration applied for*

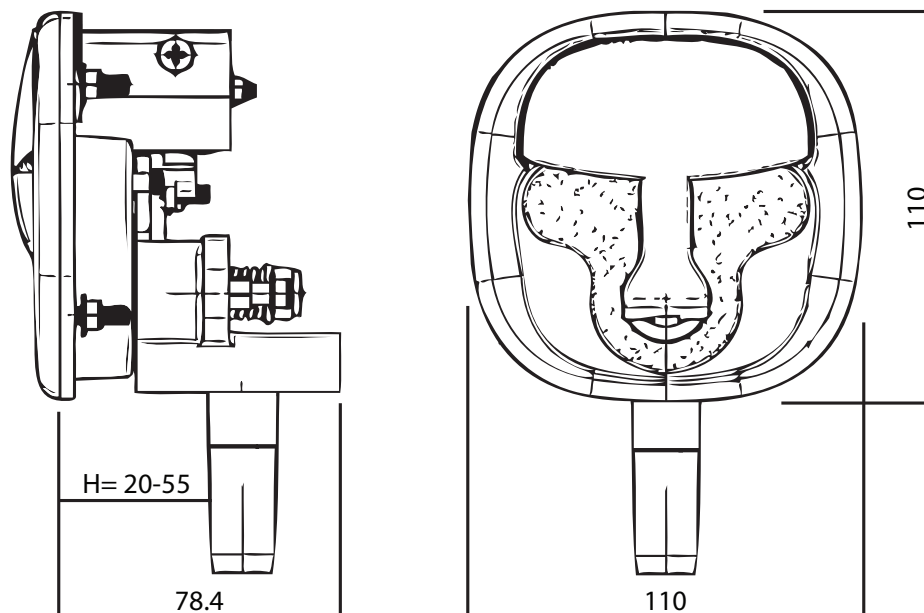
Accessories (Sold Separately)

- Central Locking Kits: **12V** 10506-CL-L | 10506-CL-R **24V** 10506-CL-L-24V | 10506-CL-R-24V
- Locking Rods & Attachments: **RG007** Roller rod end attachments | **RG008** Connector clips | **P3355-0#** Rod guide | **RODADAPT** Rod adapter (zinc) | **ROD###E** Locking rod with eye | **ROD###R** Locking rod with roller

Part Number	Keyed	Cam Style	Grip Range	Fixing Type	Finish
10507M-SK#-ZBB-R	SK#	Nylon roller, adj.	20 ~ 55mm	M5 cast-in studs, rear	EDP coated, black satin
10507M-SK#-ZCC-R	SK#	Nylon roller, adj.	20 ~ 55mm	M5 cast-in studs, rear	Chrome plated, polished
10507M-U3-ZBB-R	Half-Euro	Nylon roller, adj.	20 ~ 55mm	M5 cast-in studs, rear	EDP coated, black satin
10507M-U3-ZCC-R	Half-Euro	Nylon roller, adj.	20 ~ 55mm	M5 cast-in studs, rear	Chrome plated, polished

PLEASE NOTE: Unless specifically requested - multiple handles in one order will all be keyed the same.

MIDNIGHT V3 MINI Whale Tail Handle



*Technical drawings are a visual reference aid only and may differ slightly to the physical product.

