

SWITCH UP V2

F-Series Symmetrical Swing Handle

(Compatible with Standard Selectrix Cutouts)

Features

- Easily Switch Up between pad-lockable, keyed barrel or half-euro inserts (half-euro cylinder sold separately) *non-locking w/o insert
- Unique modular design allows for easy conversion between F-Series cutout and standard Selectrix (Eselon and Millennium series) cutouts via the adapter plate
- Polyamide: IP42 rated - indoor applications only
- Zinc, powder coated: IP66 rated - outdoor/full exposure applications
- 90° handle rotation feedback with “click”
- Short cam shaft design
- Symmetrical F-series cutout & 180° handle rotation: ensures compatibility with both RH and LH applications on symmetrically designed doors
- Vandal resistant, flush design
- Reduces inventory requirements



Materials & Finish

- Please refer to table below

Remarks

- Single and multi-point cams available in various H= dimensions
- P1117 padlock accessory plate available upon request: (may be subject to MOQ's and/or extended lead-times.) Used for converting Selectrix pad-lockable handles (*single mounting bolt design without polyamide back cover*) to suit doors designed using F-series cutout.
**Page 3 - Fig. 5 and Fig. 6 (Version A)*



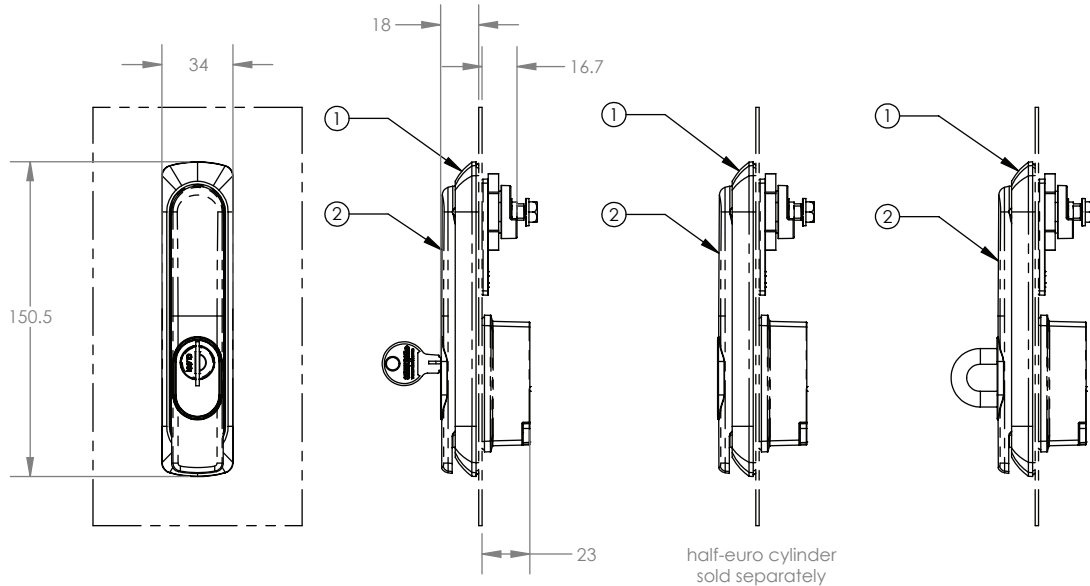
Part Number	Description	Material & Finish	IP Rating	Remarks
1107FPPU0	Small Swing Handle	Polyamide, Black	IP42	For F-Series or Selectrix Cutout (w/ adapter plate)
1107FBBU0	Small Swing Handle	Zinc, Black PC	IP66	For F-Series or Selectrix Cutout (w/ adapter plate)
1107F-PLATE-01	Adapter Plate	Zinc	IP42 / IP66	Plate to Convert Between F-Series and Selectrix Cutout
1107FBBIN-PAD	Insert	316 Stainless Steel	IP42 / IP66	Padlockable Insert for 1107F Series Swing Handle
1107FBBIN-01	Insert	Zinc, Black PC	IP42 / IP66	CL001 Keyed Insert for 1107F Series Swing Handle
1107FBBIN-02	Insert	Zinc, Black PC	IP42 / IP66	92268 Keyed Insert for 1107F Series Swing Handle
1107FBBIN-03	Insert	Zinc, Black PC	IP42 / IP66	CL604 Keyed Insert for 1107F Series Swing Handle
1107FBBIN-07	Insert	Zinc, Black PC	IP42 / IP66	CL003 Keyed Insert for 1107F Series Swing Handle
1107FBBIN-U3	Insert	Zinc, Black PC	IP42 / IP66	Half-Euro Keyed Insert for 1107F Series Swing Handle

SWITCH UP V2

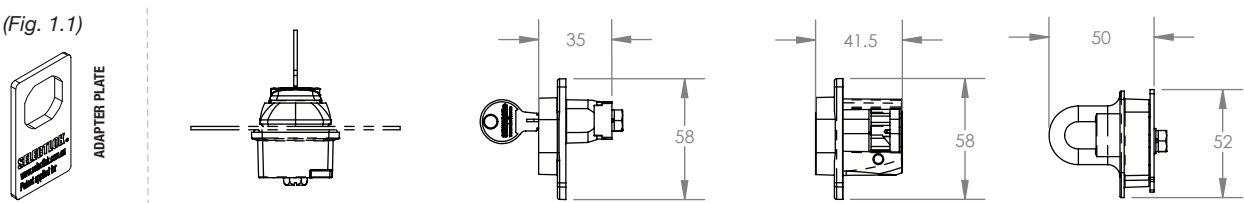
F-Series Symmetrical Swing Handle

(Compatible with Standard Selectrix Cutouts)

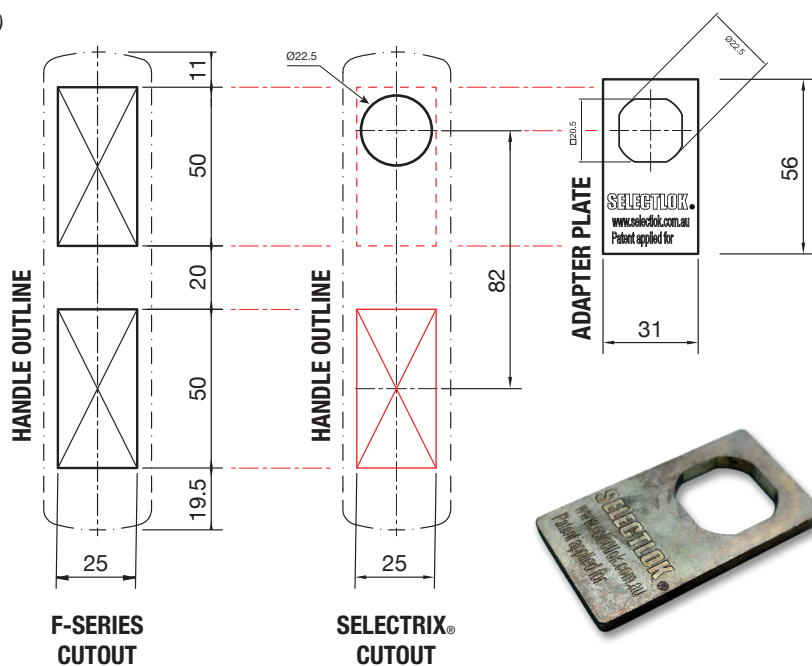
(Fig. 1)



(Fig. 1.1)



(Fig. 2)



(Fig. 3)

SWITCH UP V2

F-Series Symmetrical Swing Handle

(Compatible with Standard Selectrix Cutouts)

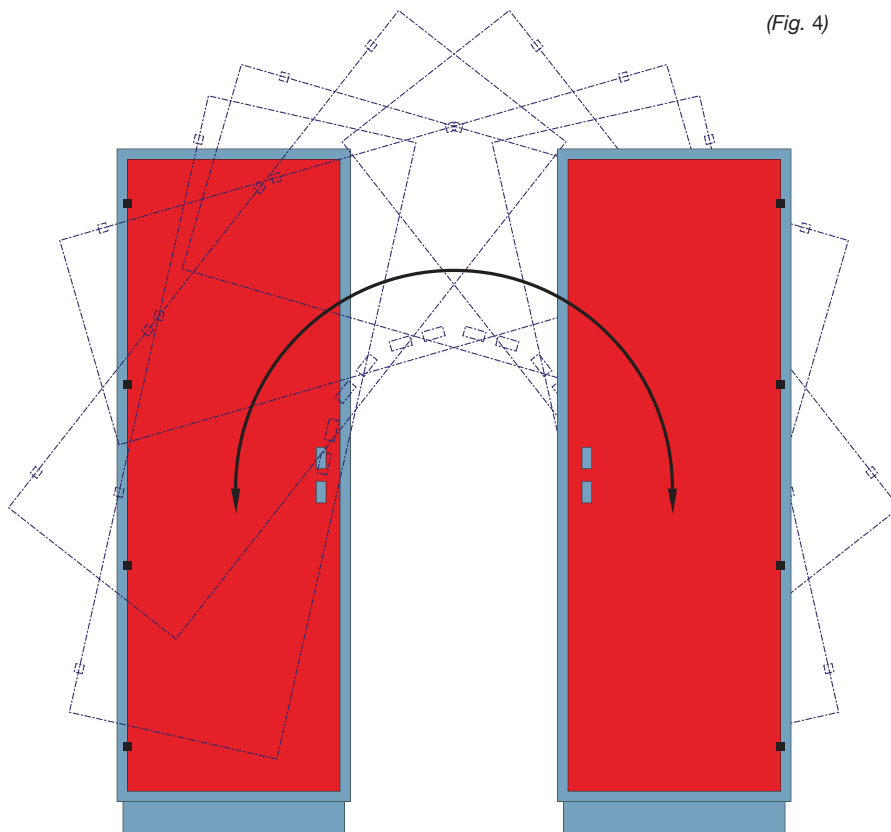
MODULAR SYMMETRY DOOR FRAME DESIGNS.

Biaxial symmetry at the frame is essential to rotating the door around its centre point.

Remarks



For optimal results when designing symmetrical enclosure door frames, Selectlok recommends pairing our PI5346-MB-6-2-S corner hinges with swing handles that utilise an F-Series cutout.

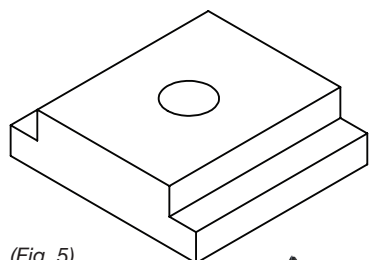


(Fig. 4)

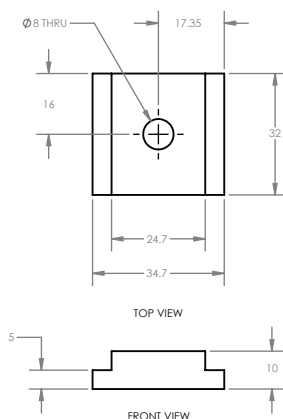
ACCESSORY PADLOCK PLATE

Padlockable Handle Adapter Plate

Part No. P1117 (Compatible with Fig. 6 - Version "A")



(Fig. 5)



ESELON AND MILLENNIUM SERIES STANDARD SWING HANDLE CUTOUTS



(Fig. 6)

