

## ECLIPSE

### Compression Folding T-Handle

#### Features

- Aesthetically pleasing water drop shape
- 4mm compression action
- 180° handle rotation
- Adjustable three-point cam type (H= 12-60mm)
- Keyed alike CH751
- Rear fixing, cast-in M5 studs (threaded)
- Black powder coated (textured)
- IP66

#### Materials & Finish

- **Housing:** PA6+GF30, black
- **Handle:** Zinc alloy, textured powder coat, black
- **Shaft:** 304 stainless steel
- **Key head:** PA6+GF30, black
- **Cam:** SUS304, passivation treatment
- **Roller:** Glass fibre reinforced polyamide (PA6)
- **Padlock Hasp:** SUS304 stainless steel, passivated

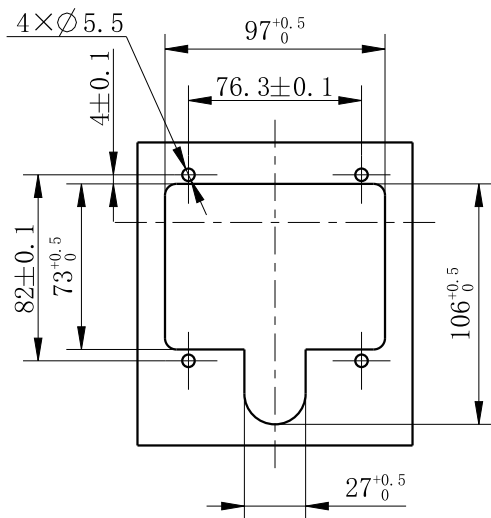
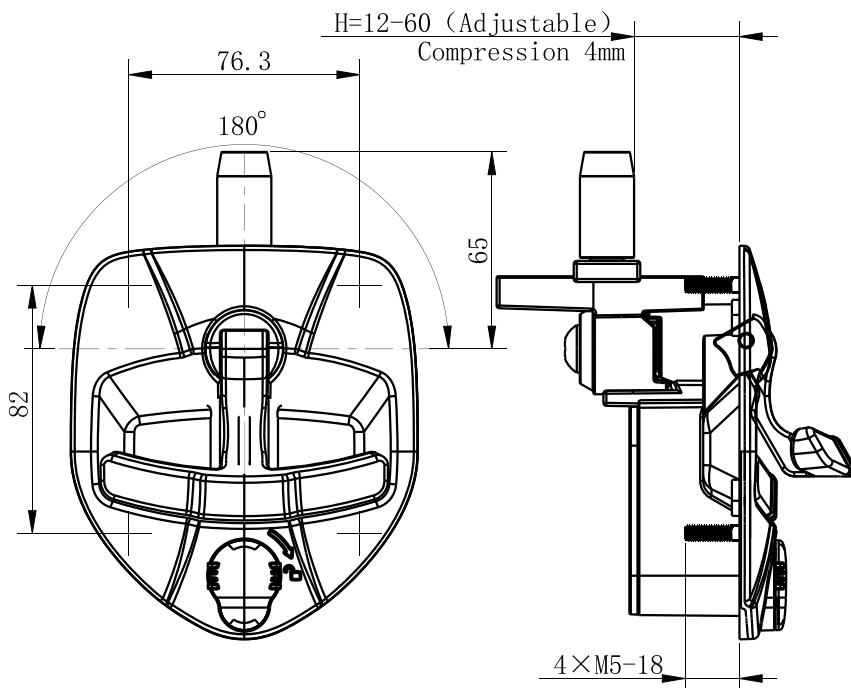


Part Number	ADJ. H= Dimension	Cam Type	Handle Rotation	Padlock Hasp	Cylinder Type	Finish Type
ECLFT001-CH751	12mm - 60mm (4mm compression)	ADJ 3-point w/ roller	180° opening	No	Keyed CH571	Powder coat, black
ECLFT002-CH751	12mm - 60mm (4mm compression)	ADJ 3-point w/ roller	180° opening	Yes	Keyed CH571	Powder coat, black

## ECLIPSE

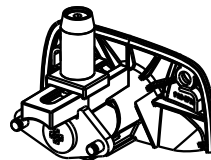
### Compression Folding T-Handle

ECLFT001-CH751



Panel Cutout

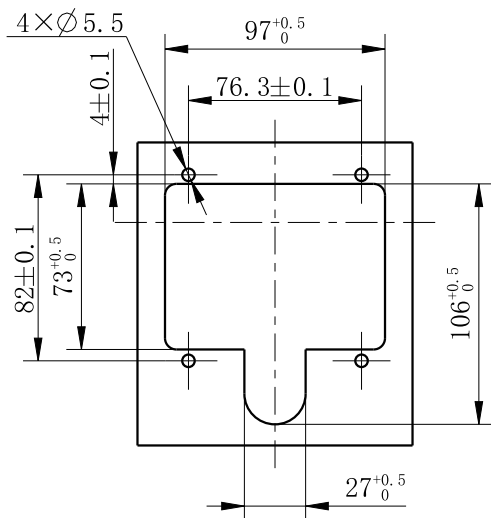
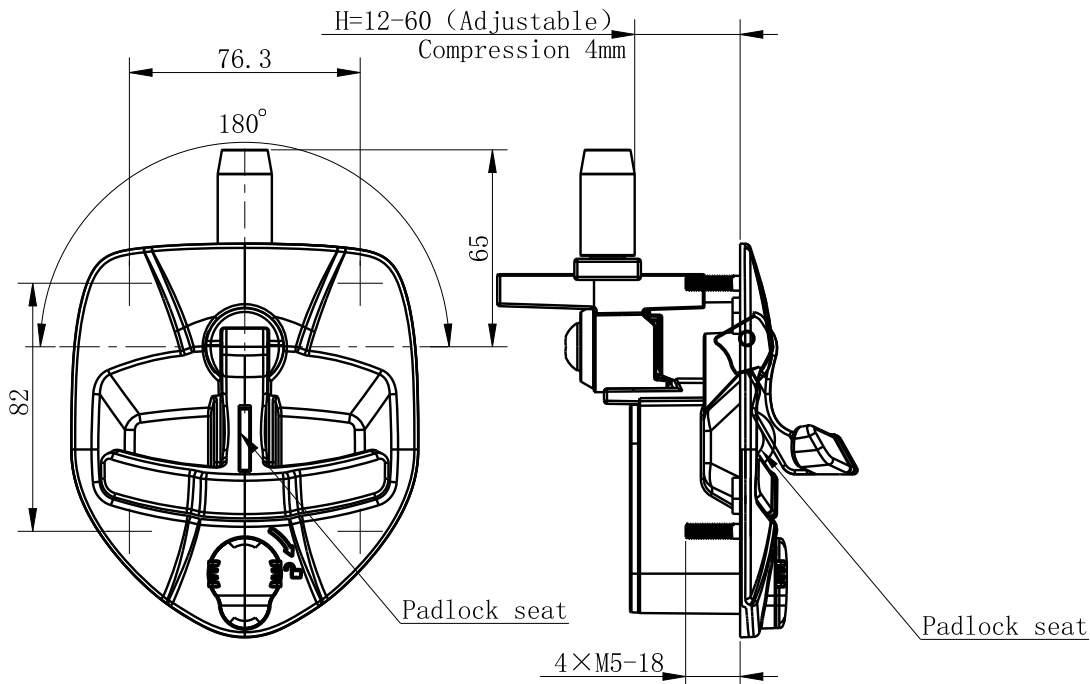
Adjustable  
three-point  
roller cam



## ECLIPSE

### Compression Folding T-Handle

ECLFT002-CH751



Panel Cutout

Adjustable  
three-point  
roller cam

