

MIDNIGHT V3 & V3 MINI

2 Wires Central Locking Actuator Kit

Features

- Push/pull force: > 5.0 kgs
- Ultrasonic welding and fastened with rivets, water resistant
- 360° swivel head/fixed head available
- Input voltage: 12v / 24v available
- Working temperature range: - 40°C ~ + 80°C
- Amp draw: 4 ~ 4.5 amp per load (Selectlok recommends no more than 3 x units per 40 amp relay)
- Kit is suitable for all Midnight V3 & V3 MINI varieties.

Materials & Finish

- Actuator housing: Riveted ABS, black
- Mounting plate: Mild steel, zinc plated
- Protective cover: ABS, black
- Connecting link & limit sleeve: Mild steel, zinc plated
- Pan head M4x16 screw & washers: Mild steel, zinc plated
- M4 hex nut: Stainless steel 304

Measurements

Actuators

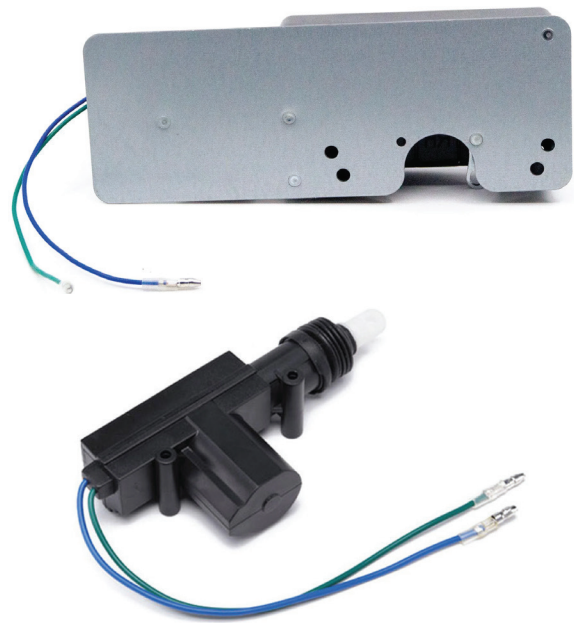
- Dimensions: 140mm (L) x 63mm (H) x 31mm (W)
- Push/pull throw: 16.5mm
- Mounting holes & spacing: 58mm x ø 3.8mm

Mounting plate & cover

- Mounting plate: 220mm (L) x 80mm (W) x 2mm (H)
- Protective cover: 130mm (L) x 76.5mm (W) x 40.5mm (H)

Weight

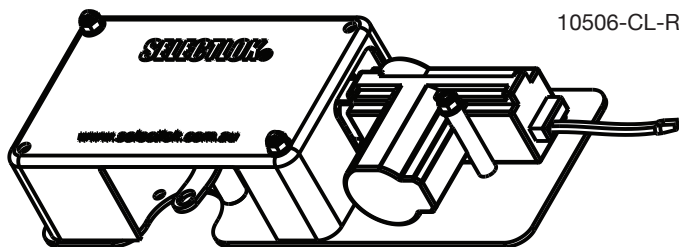
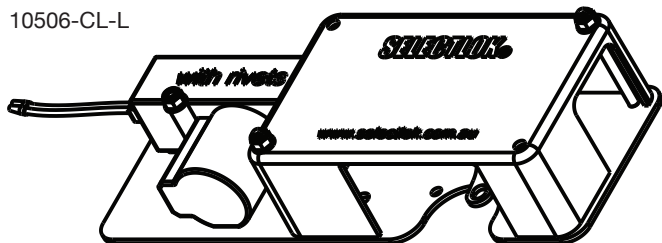
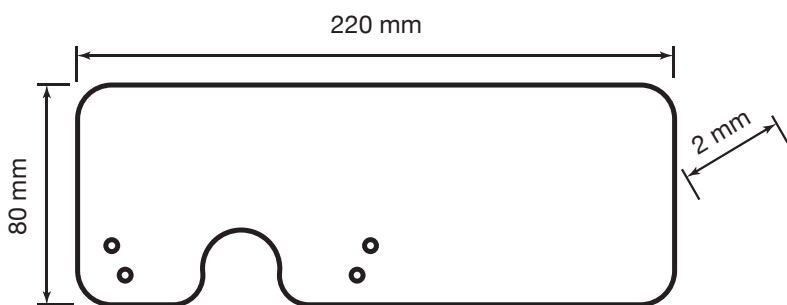
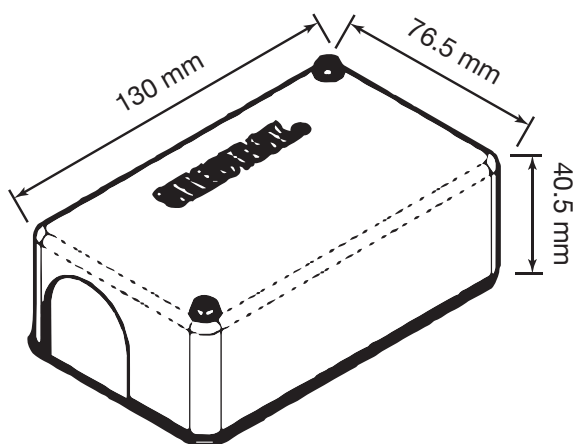
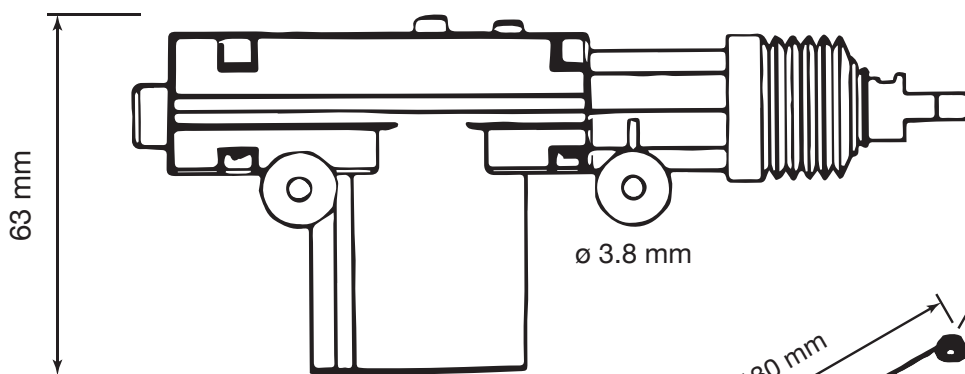
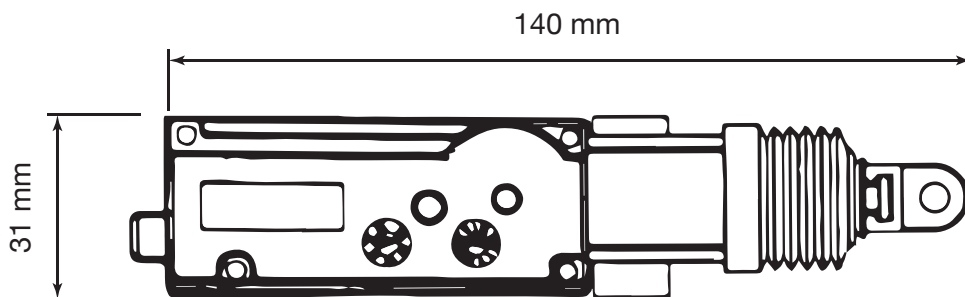
- Unit weight: 0.495kg



Part Number	Push/Pull Force	Push/Pull Throw	Voltage	Amp Draw	Head Type
10506-CL-L	> 5 kg	16.5 mm	12 V	4 ~ 4.5 amp per load	Swivel
10506-CL-L-24v	> 5 kg	16.5 mm	24 V	4 ~ 4.5 amp per load	Swivel
10506-CL-R	> 5 kg	16.5 mm	12 V	4 ~ 4.5 amp per load	Swivel
10506-CL-R-24v	> 5 kg	16.5 mm	24 V	4 ~ 4.5 amp per load	Swivel

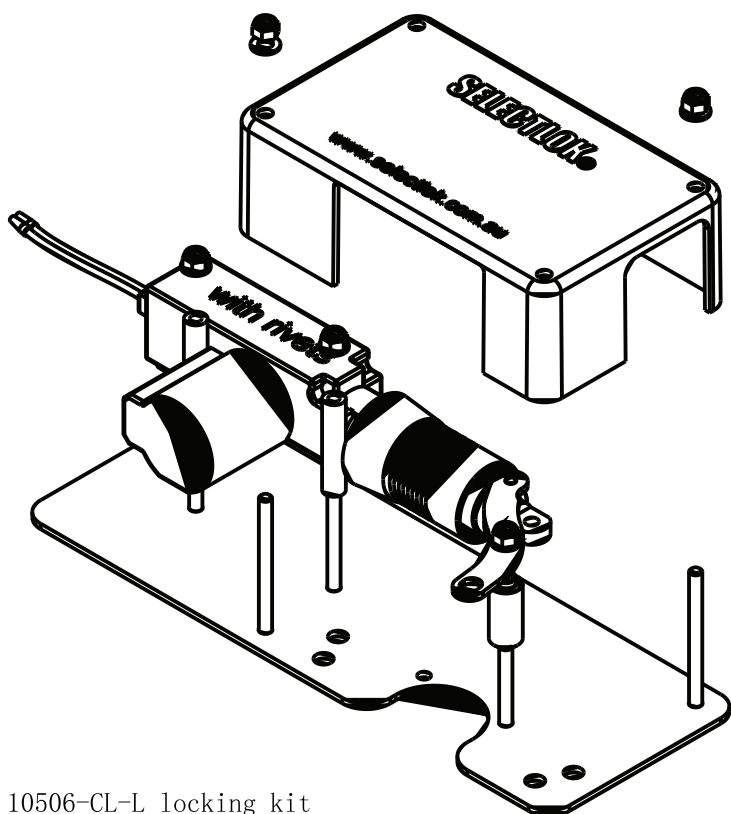
MIDNIGHT V3 & V3 MINI

2 Wires Central Locking Actuator Kit



MIDNIGHT V3 & V3 MINI

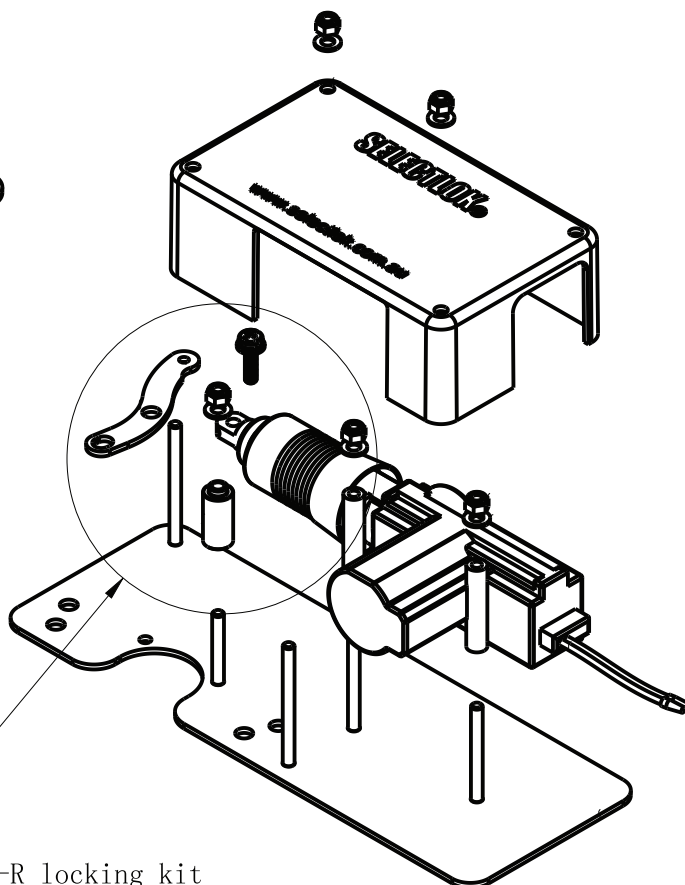
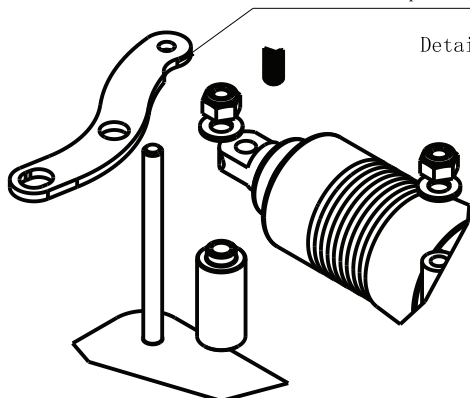
2 Wires Central Locking Actuator Kit



10506-CL-L locking kit

Please pay attention to the relationship between the connecting part gap and the motor position

Detail A



10506-CL-R locking kit