

## SHORT PIN

### Pintle Hinge Range

#### Features

- 16mm body height
- Reduced pin length
- Interchangeable male & female components

#### Materials & Finish

- Hinge body: Brass
- Pin: 304 stainless steel
- Body Finish: 50mm - chrome, plated  
82mm - chrome, plated  
82mm - black, EDP coated

#### Dimensions

##### 50mm Short Pin

- Body height: 16mm
- Body length: 50mm
- Pin diameter: 6mm
- Pin length: 13mm

##### 82mm Short Pin

- Body height: 16mm
- Body length: 82mm
- Pin diameter: 6mm
- Pin length: 15mm



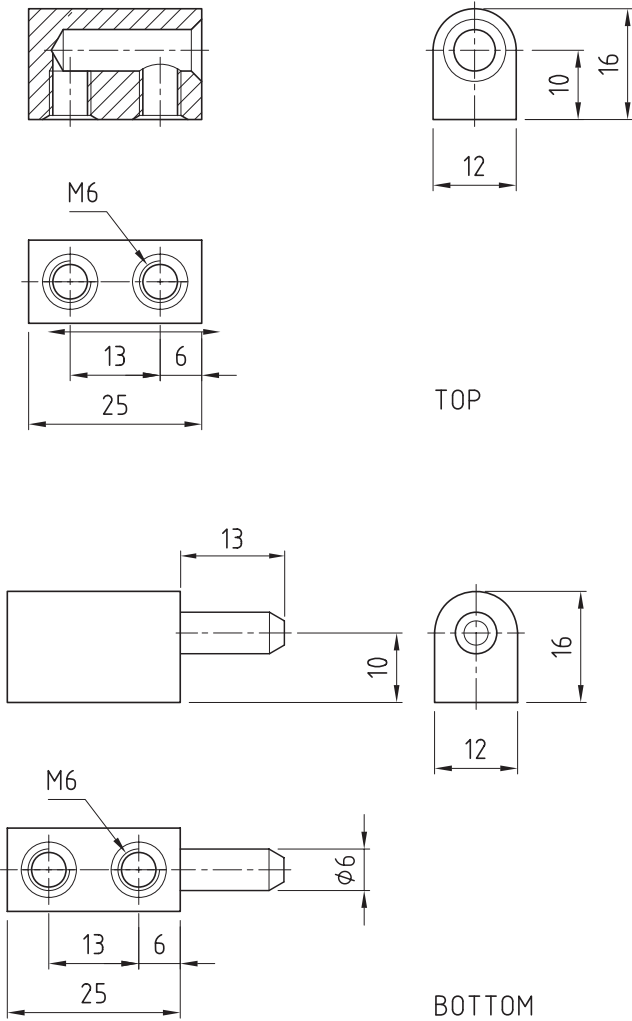
#### Remarks

- Hex multi-head screws available: F-HMHSS-M6X8
- Socket head cap screws available: F-SCS-M6X8-ZP

Part Number	Body Length	Pin Length:	Body Material	Pin Material	Finish
HIB500-1-SHORT	50 mm	13 mm	Brass	304 stainless steel	Chrome, plated
HIB650-1-SHORT	82 mm	15 mm	Brass	304 stainless steel	Chrome, plated
HIB650-1-BLK-SHORT	82 mm	15 mm	Brass	304 stainless steel	Black, EDP coated

## SHORT PIN Pintle Hinge Range

### HIB500-1-SHORT



### HIB650-1-SHORT and HIB650-1-BLK-SHORT

