

## MIDNIGHT V3

### Whale Tail Handle

#### Features

- Adjustable roller cam (nylon)
- Grip range: (H=) 20mm ~ 55mm
- M5 cast-in studs - rear fixing, high tensile
- Heavy-duty stainless steel main shaft with 'tunable' handle spring tension
- Available in high-security automotive-style key or high-security Euro profile cylinder (sold separately)
- Pad-lockable hasp for additional security
- Commonly used industry cutout template
- Central locking kits available (sold separately)
- IP65

#### Dimensions

- 140mm (H) x 140mm (W) x 78.4mm (D)

#### Materials & Finish

- **Housing:** Mild steel, zinc plated
- **Handle & dish:** Zinc die, zinc plated
- **Main shaft material:** Stainless steel 304
- **Handle & dish finish:** Black EDP coated or chrome plating

#### Remarks

- New modern design
- Ergonomic and secure handle
- Die-cast dish and handle
- Suitable for single or multi-point locking
- Designed in Australia for Australian conditions
- Design patent registration applied for\*

#### Accessories (Sold Separately)

- **Central Locking Kits:** **12V** 10506-CL-L | 10506-CL-R **24V** 10506-CL-L-24V | 10506-CL-R-24V
- **Locking Rods & Attachments:** **RG007** Roller rod end attachments | **RG008** Connector clips | **P3355-0#** Rod guide | **RODADAPT** Rod adapter (zinc) | **ROD###E** Locking rod with eye | **ROD###R** Locking rod with roller

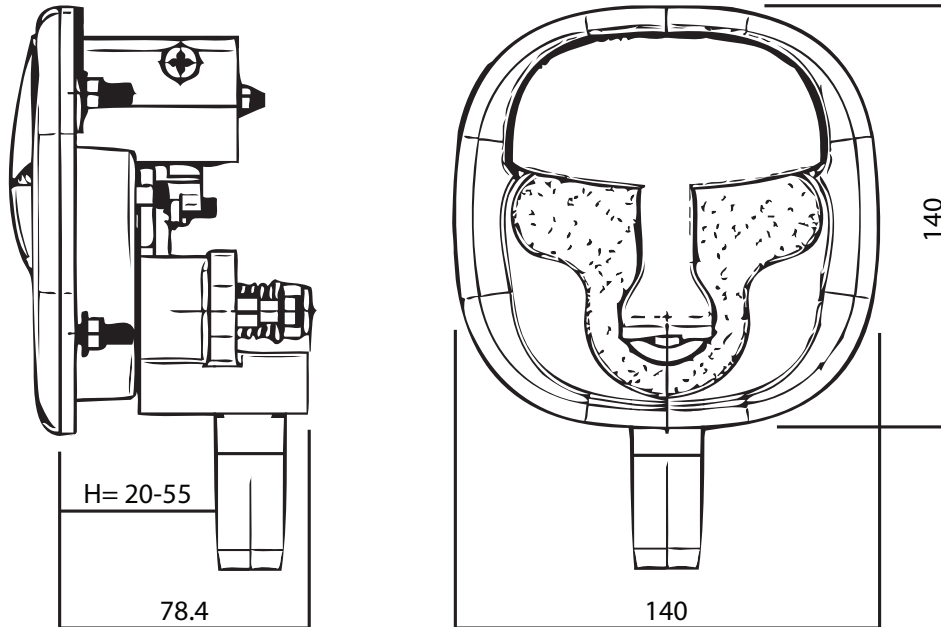


Part Number	Keyed	Cam Style	Grip Range	Fixing Type	Finish
10506M-SK#-ZBB-R	SK#	Nylon roller, adj.	20 ~ 55mm	M5 cast-in studs, rear	EDP coated, black satin
10506M-SK#-ZCC-R	SK#	Nylon roller, adj.	20 ~ 55mm	M5 cast-in studs, rear	Chrome plated, polished
10506M-U3-ZBB-R	Half-Euro	Nylon roller, adj.	20 ~ 55mm	M5 cast-in studs, rear	EDP coated, black satin
10506M-U3-ZCC-R	Half-Euro	Nylon roller, adj.	20 ~ 55mm	M5 cast-in studs, rear	Chrome plated, polished

PLEASE NOTE: Unless specifically requested - multiple handles in one order will all be keyed the same.

## MIDNIGHT V3

### Whale Tail Handle



\*Technical drawings are a visual reference aid only and may differ slightly to the physical product.

