

L101 SERIES

Flush Pull Ring Latch

Polyamide

Features

- Polyamide
- Emergency internal actuation (regardless of whether in locked or unlocked position)
- Single, round-hole installation
- Locking and non-locking available
- **Mounting:** Rear fixing, M5 x 20mm Phillips pan-head screws
- **Grip range:** ≤ 24mm
- **Suits panel thickness:** 7mm ~ 12mm
- **Max. tightening torque (mounting screws):** 1.7 Nm

Materials & Finish

- **Material:** PA6
- **Finish:** Black
- **Cutout:** Ø50mm round hole

Remarks

- Other grip ranges and materials/finishes may be available (Subject to additional costs, MOQ's and/or lead-times)



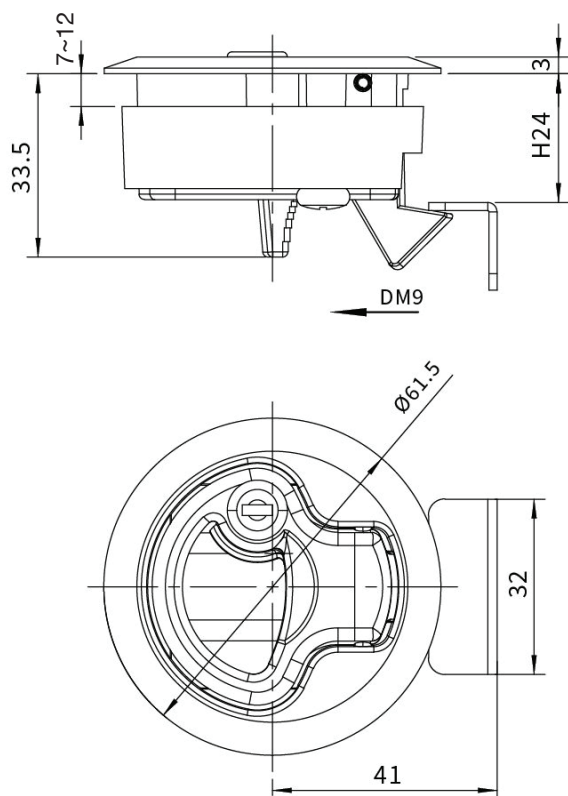
Part Number	Description	Key Code	Material Thickness	Grip Range	Internal Release	Material & Finish
L101-01-KEY	2x Replacement Keys	#4	1.5mm	N/A	N/A	Polished SS-316
L101-01-PA-7	Key Lockable Latch	#4	7 ~ 12 mm	≤ 24mm	Yes	PA6, Black
L101-02-PA-7	Non-Locking Latch	N/A	7 ~ 12 mm	≤ 24mm	Yes	PA6, Black

L101 SERIES

Flush Pull Ring Latch

Polyamide

Technical Drawings



■ Cut Out

