

M299 SERIES

40x40 Screw-On Hinge (SOH)

Industrial Butt Hinge

Features

- Industrial butt hinge, screw-on design (SOH)
- Engineered for use with flush mounted doors
- Suitable for outdoor applications
- 270 ° rotation
- Mounting:
 - Rear fixing - M5 x 10mm studs
 - Front fixing - Ø 5.5mm countersunk holes



Materials & Dimensions

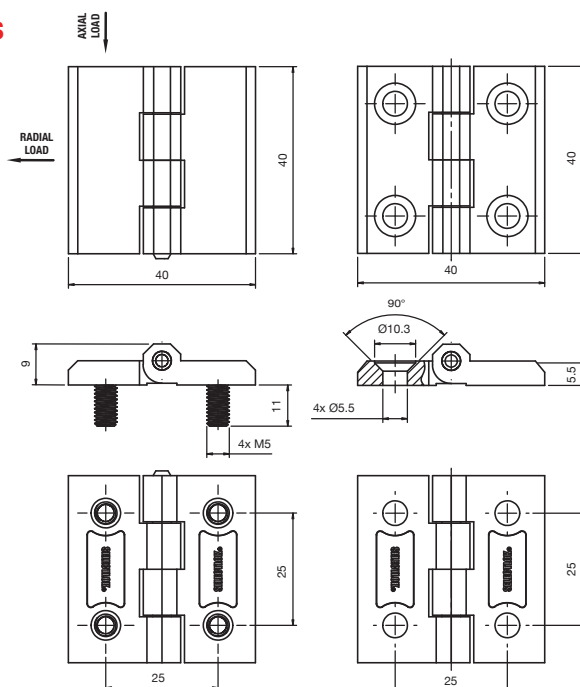
- Hinge: Zinc, die-cast
- Pin: Stainless steel 304
- Finish: Black, EDP coated *OR* chrome plated

Remarks

- Alternate dimensions and/or fixing styles:
 - Availability on request. *(Subject to MOQ's & extended leadtimes)*

Part Number	Mounting	Dimensions (mm)	Finish
M299-1-2-1	M5 x 10mm Studs / Rear Fixing	40mm (L) x 40mm (W) x 9mm (H)	Black, EDPC
M099-1-2-3	Ø 5.5mm Countersunk Holes / Front Fixing	40mm (L) x 40mm (W) x 9mm (H)	Black, EDPC

Technical Drawings



Alternative Fixings

