

## ADJ. FOLDING-T WITH STUDS

### Economy Range

#### Rear Fixing

#### Features

- Rear fixing, M6 studs
- Stainless steel dish
- Mixed key available
- Adjustable cam
- Ergonomic handle
- Rubber gasket supplied

#### Materials & Finish

- Dish: 304 stainless steel
- Handle & lock: Zinc die-cast, chrome PLT
- Cam & bracket: Zinc die-cast, zinc PLT

#### Remarks

- Run out item - while stocks last

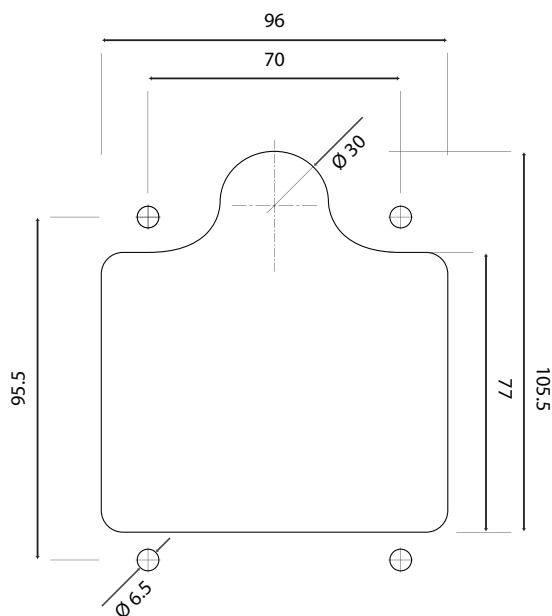
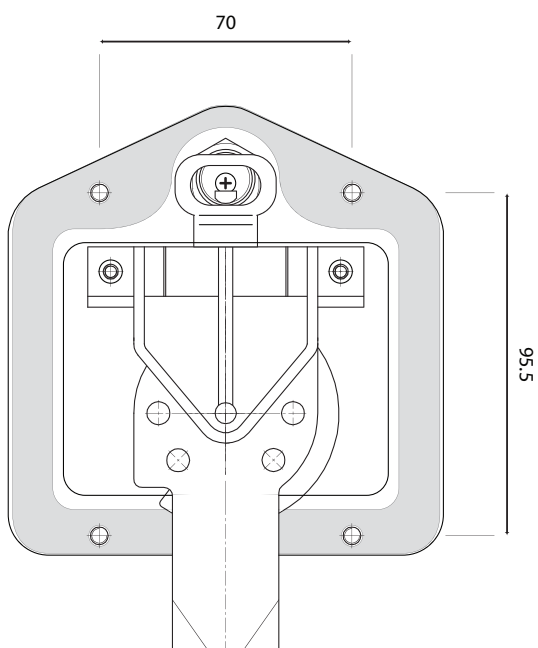
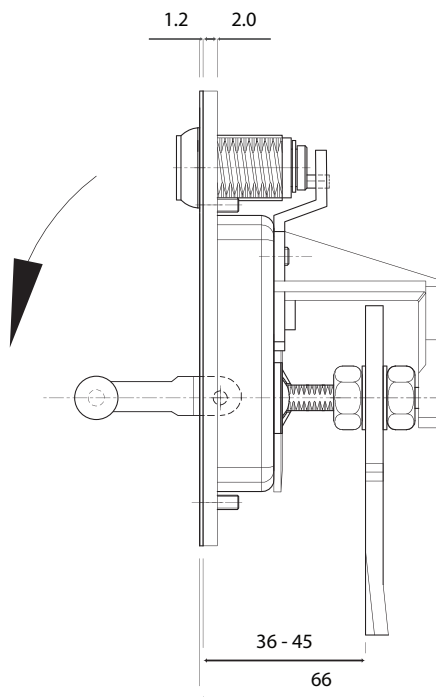
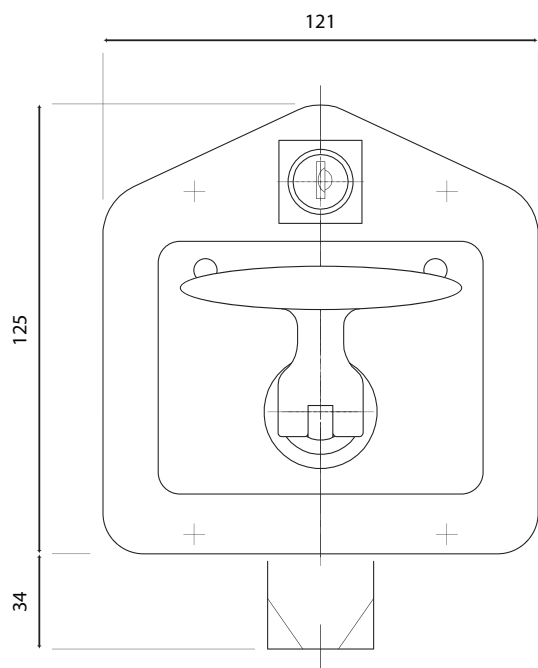


Part Number	Keyed	Finish	Fixing	Gasket Supplied	Item Status
P1065-02	Mixed	Polished / Chrome	Rear, M6 Stud	Yes	Run Out - While Stocks Last

## ADJ. FOLDING-T WITH STUDS

### Economy Range

Rear Fixing



CUTOUT