

NP0044 | FULL LENGTH

Push-Button Compression Latch

Integrated Electronic Central Locking (ELS) | Small & Large Profile Sizes

Features

- Full length button, rectangular handle design
- Small and large profile sizes
- Compression action
- Keyed alike: CH05, CH06, CH08, CH09
- Operational features:
 - Push-button operation
 - Integrated electronic central locking (ELS)
 - Locking status indicator light (green/red)
 - Manual key override
- Compatible power supplies:
 - 6V - DC
 - 12V - Via control box*(control box converts 12V supply to 6V, Do Not install AA batteries)*
- Rear fixing, mounting bracket
- Supplied with gasket seal
- Flush fitting



Dimensions, Materials & Finish

Dimensions

- Handle body *(not including gasket seal)*:
 - Small - 94.5mm (L) x 34.5mm (W) x 29.75mm (D)
 - Large - 99mm (H) x 45mm (W) x 29.75mm (D)
- Cutout profile:
 - Small - 86mm (L) x 25mm (W) x Ø3mm corners (Max.)
 - Large - 90mm (L) x 35mm (W) x Ø2mm corners (Max.)
- Grip range (H1) and reach dimension (RD):
 - Refer to table *(page 2)*
- Panel thickness: 1mm ~ 4mm (T)

Material & Finish

- Handle body: Zinc, die-cast
- Arm/cam: Zinc, die-cast
- Cam stopper: Nylon
- Mounting bracket: Mild steel, zinc plated
- Colour and finish: Black, powder-coat (textured)



Remarks

- Accessory item: Dust cover seal *(sold separately)*

-Compatible with: ELS | NP0044: electronic central locking, 6V/12V control box and shunt.

Compatible power supplies: 6V DC (and/or 12V switching or non-switching via the control box)

- Can be hardwired into existing central locking system or installed “wirelessly” via standalone 6V (12V via control box) power supply.
- Can also be configured into integrated systems alongside ELS variants of our NP0044: folding-t handles.

(Incorporate with: ELS | NP0044: folding-t handle w/ mounting bracket & electronic central locking, 6V/12V control box and shunt)

NP0044 | FULL LENGTH

Push-Button Compression Latch

Integrated Electronic Central Locking (ELS) | Small & Large Profile Sizes

INTEGRATED ELECTRONIC CENTRAL LOCKING (ELS) LATCHES

Part Number	Description	Actuation	Power Supply (Voltage)	Keyed	Col./FIN.	H1 (Grip)	RD (Reach)
NP0044-005-1-CH05	NP0044 Push-Button Compression SMALL	Int. Central Locking (ELS)	6V DC / 12V (via Control Box)	CH05	Black PC	18-30mm	27mm
NP0044-005-1-CH06	NP0044 Push-Button Compression SMALL	Int. Central Locking (ELS)	6V DC / 12V (via Control Box)	CH06	Black PC	18-30mm	27mm
NP0044-005-1-CH08	NP0044 Push-Button Compression SMALL	Int. Central Locking (ELS)	6V DC / 12V (via Control Box)	CH08	Black PC	18-30mm	27mm
NP0044-005-1-CH09	NP0044 Push-Button Compression SMALL	Int. Central Locking (ELS)	6V DC / 12V (via Control Box)	CH09	Black PC	18-30mm	27mm
NP0044-006-1-CH05	NP0044 Push-Button Compression LARGE	Int. Central Locking (ELS)	6V DC / 12V (via Control Box)	CH05	Black PC	0-10mm	13.75mm
NP0044-006-1-CH06	NP0044 Push-Button Compression LARGE	Int. Central Locking (ELS)	6V DC / 12V (via Control Box)	CH06	Black PC	0-10mm	13.75mm
NP0044-006-1-CH08	NP0044 Push-Button Compression LARGE	Int. Central Locking (ELS)	6V DC / 12V (via Control Box)	CH08	Black PC	0-10mm	13.75mm
NP0044-006-1-CH09	NP0044 Push-Button Compression LARGE	Int. Central Locking (ELS)	6V DC / 12V (via Control Box)	CH09	Black PC	0-10mm	13.75mm
NP0044-006-2-CH05	NP0044 Push-Button Compression LARGE	Int. Central Locking (ELS)	6V DC / 12V (via Control Box)	CH05	Black PC	30-42mm	13.75mm
NP0044-006-2-CH06	NP0044 Push-Button Compression LARGE	Int. Central Locking (ELS)	6V DC / 12V (via Control Box)	CH06	Black PC	30-42mm	13.75mm
NP0044-006-2-CH08	NP0044 Push-Button Compression LARGE	Int. Central Locking (ELS)	6V DC / 12V (via Control Box)	CH08	Black PC	30-42mm	13.75mm
NP0044-006-2-CH09	NP0044 Push-Button Compression LARGE	Int. Central Locking (ELS)	6V DC / 12V (via Control Box)	CH09	Black PC	30-42mm	13.75mm
NP0044-006-3-CH05	NP0044 Push-Button Compression LARGE	Int. Central Locking (ELS)	6V DC / 12V (via Control Box)	CH05	Black PC	20-32mm	30.75mm
NP0044-006-3-CH06	NP0044 Push-Button Compression LARGE	Int. Central Locking (ELS)	6V DC / 12V (via Control Box)	CH06	Black PC	20-32mm	30.75mm
NP0044-006-3-CH08	NP0044 Push-Button Compression LARGE	Int. Central Locking (ELS)	6V DC / 12V (via Control Box)	CH08	Black PC	20-32mm	30.75mm
NP0044-006-3-CH09	NP0044 Push-Button Compression LARGE	Int. Central Locking (ELS)	6V DC / 12V (via Control Box)	CH09	Black PC	20-32mm	30.75mm
NP0044-015	Accessory Dust Cover To Suit: NP0044 Push-Button Compression Latch LARGE		Black, Rubber				
NP0044-016	Accessory Dust Cover To Suit: NP0044 Push-Button Compression Latch SMALL		Black, Rubber				

NB

ELS | ECL | IECL

Acronyms; Commonly associated w/ reference to the actuation methods of our range of Electronic Locking Solutions products.

- Including:** Electronically powered central locking actuator kits (6V/12V/24V), digital access and smart locking systems, electronic lock positioning (park) sensors, control boxes, shunt connectors, remote controls and batteries, etc.

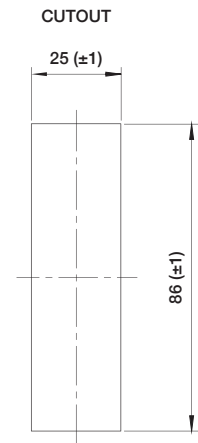
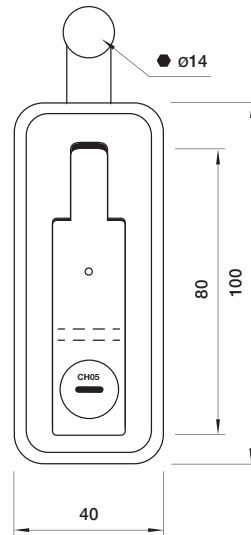
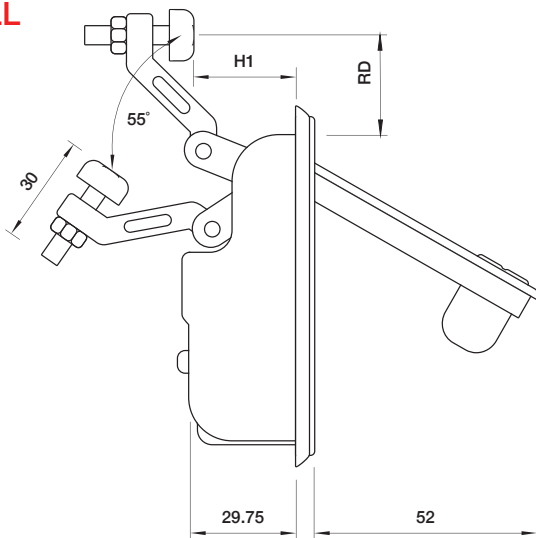
ELS: Electronic Locking Solutions
 ECL: Electronic Central Locking
 IECL: Integrated Electronic Central Locking

NP0044 | FULL LENGTH

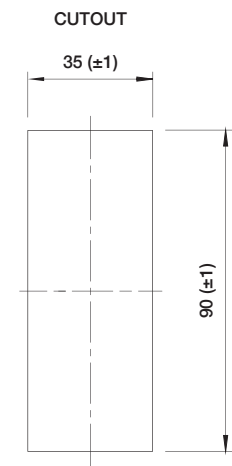
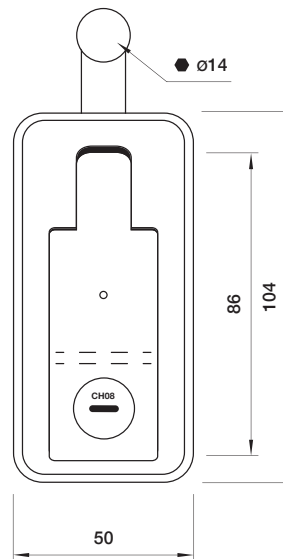
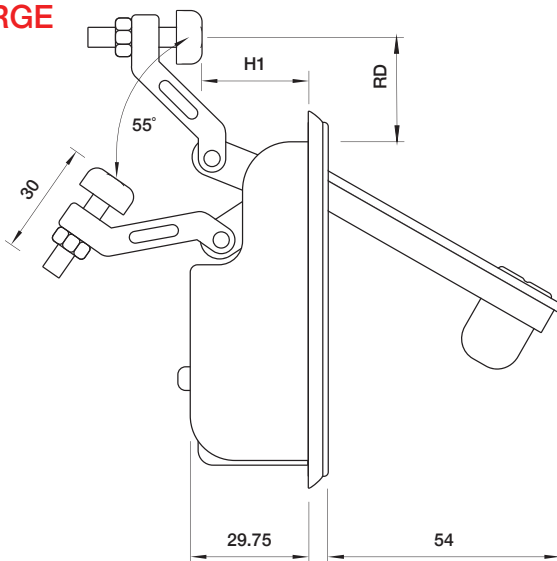
Push-Button Compression Latch

Integrated Electronic Central Locking (ELS) | Small & Large Profile Sizes

SMALL



LARGE



CONTROL BOX

