

# MIDNIGHT V3 WHALE TAIL HANDLE

## FEATURES

- New modern design
- Adjustable nylon roller cam - grip range: (H=) 20mm-55mm
- Heavy-duty stainless steel main shaft with fully tunable handle spring tension
- Die cast dish and handle
- Cast-in high tensile fixing studs
- Suitable for single or multi-point locking
- Comes in either Black EDP coating or Polished Chrome Plating
- Ergonomic and secure handle
- Central locking kit compatible
- High security automotive-style key or high-security Euro profile cylinder (sold separately)
- Padlockable hasp for additional security
- Commonly used cutout template
- IP65

## DIMENSIONS

Height: 140mm  
Width: 140mm

## MATERIAL & FINISH

Handle & Dish Material: Zinc die, zinc plated  
Housing Material: Mild steel, zinc plated  
Main Shaft Material: Stainless steel shaft  
Dish & Handle Finish:  
Black EDP coated or Chrome plating

## ACCESSORIES (SOLD SEPARATELY)

Central Locking Kits:

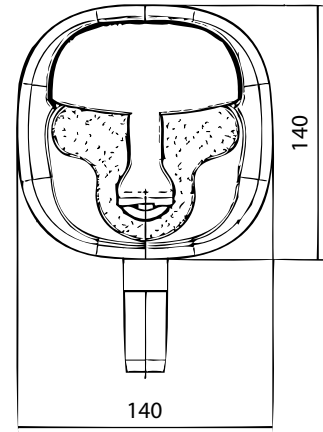
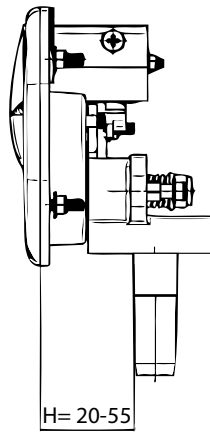
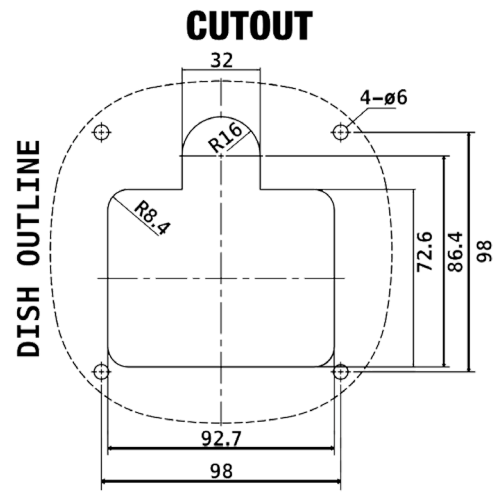
10506-CL-L, 10506-CL-R,  
10506-CL-L-24V, 10506-CL-R-24V

Locking Rods & Attachments:

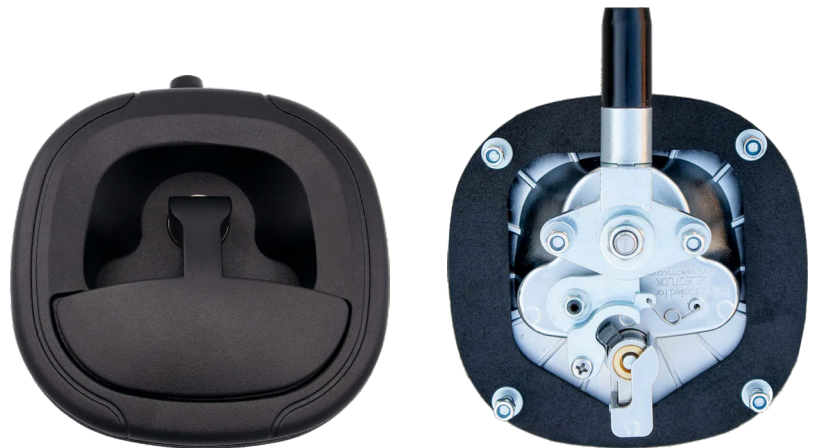
RG007 - Roller rod end attachments  
RG008 - Connector clips  
P3355-0# - Rod guide  
RODADAPT - Rod adapter (zinc)  
ROD###E - Locking rod with eye  
ROD###R - Locking rod with roller

## PLEASE NOTE:

Unless specifically requested - multiple handles in one order will all be keyed the same



\*Technical drawings are a visual reference aid only and may differ slightly to the physical product.



HANDLE & DISH	CAM VARIANT	KEY NUMBER	PART NUMBER
Black Satin, EDP Coated	Nylon Roller Cam	SK#	10506-SK#-ZBB-R
Chrome Plated	Nylon Roller Cam	SK#	10506-SK#-ZCC-R
Black Satin, EDP Coated	Nylon Roller Cam	Half Euro Profile	10506-U3-ZBB-R
Chrome Plated	Nylon Roller Cam	Half Euro Profile	10506-U3-ZCC-R

\*Patent/design registration applied for\*