

PADLOCKABLE L HANDLE

FEATURES:

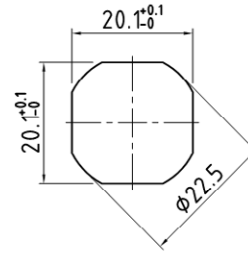
- Suits 8mm padlock hasps
- Rear fixing, single hole mount
- IP65 rating
- 90° rotation, LH or RH application

MATERIAL & FINISH:

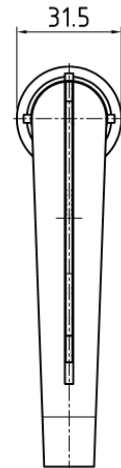
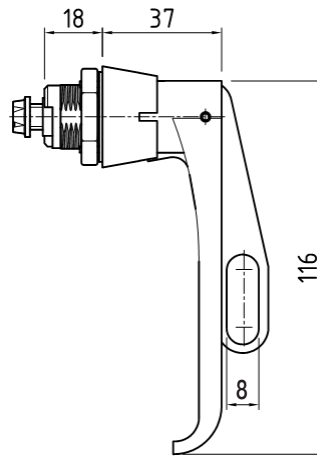
Handle Zinc Die, Chrome Plated
Housing Zinc Die, Chrome Plated
Padlock Hasp Stainless steel 316

CAMS AVAILABLE:

- Single point cam with various 'H' dimensions
- 3 point cams with various 'H' dimensions



CUTOUT



FINISH

Chrome plated

PART NUMBER

ALLU06A

* CAM ordered separately