

# SLAM LATCH

## FEATURES:

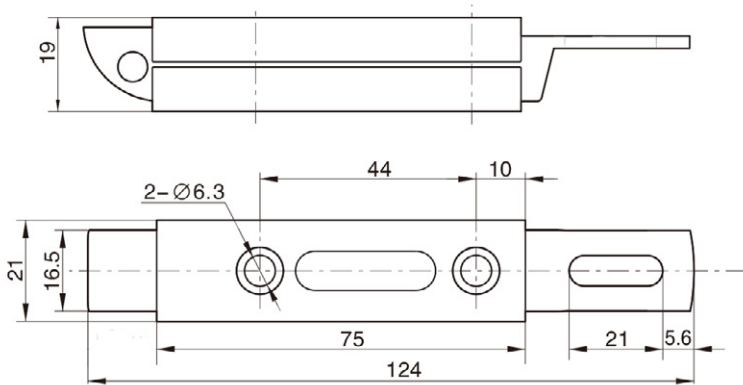
- Allows for slam action of doors
- Can be used with standard handles
- High quality plating

## DIMENSIONS:

Length	124 mm
Width	21 mm
Height	19 mm

## MATERIAL & FINISH:

Material	Zinc die cast
Finish	Zinc plated



DESCRIPTION	PART NUMBER
Slam latch	SEL-229-9001