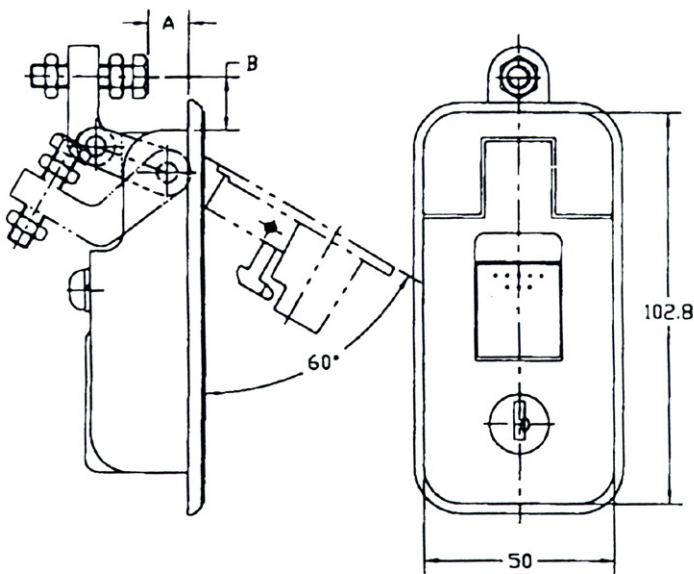
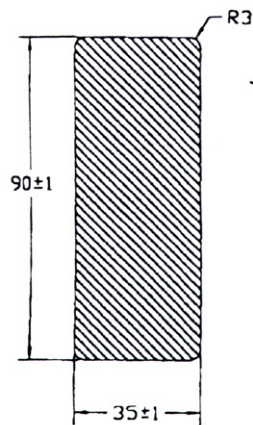


# LARGE COMPRESSION LATCH

## CUT OUT



## FEATURES:

- Flush fitting
- Supplied with gasket
- Compression action
- Push button operation
- Many key codes available

## DIMENSIONS:

Height = 102.80mm  
Width = 50.00mm

## MATERIAL & FINISH:

Handle Zinc, chrome plated or black powder coated  
Bracket Mild steel, zinc plated  
Cam Zinc



COLOUR	"A" DIMENSION (mm)	"B" DIMENSION (mm)	PART NUMBER
Chrome plated	20-35	28.5	10207-CH###
Black powder coated	1-15	13.5	10207A-CH###-BLK
Black powder coated	20-32	28.5	10207-CH###-BLK
Black powder coated	30-43	15	10207-CH###-BLK-2