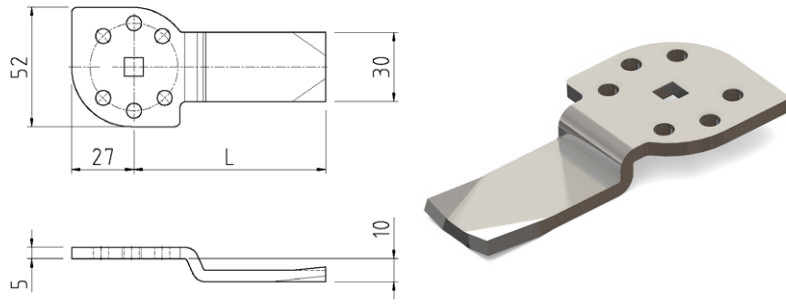
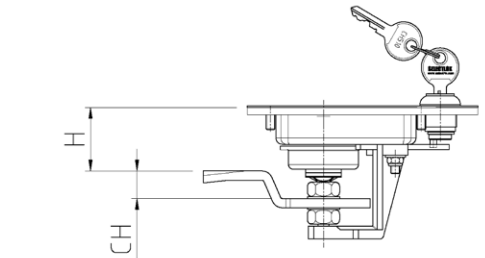


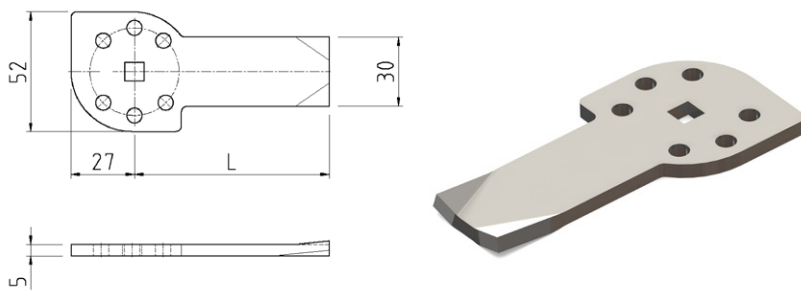
# CAMS FOR FOLDING T HANDLE



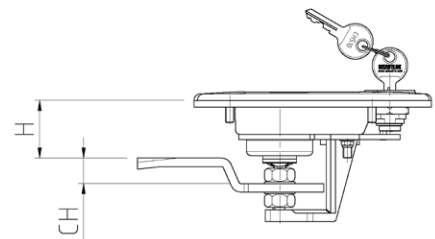
DIMENSION "L"	APPLICATION	PART NUMBER
66 (Standard)	Stainless steel dish folding T handle	P3251-06-5
83 (Midnight)	Zinc dish folding T handle	P3251-06-10



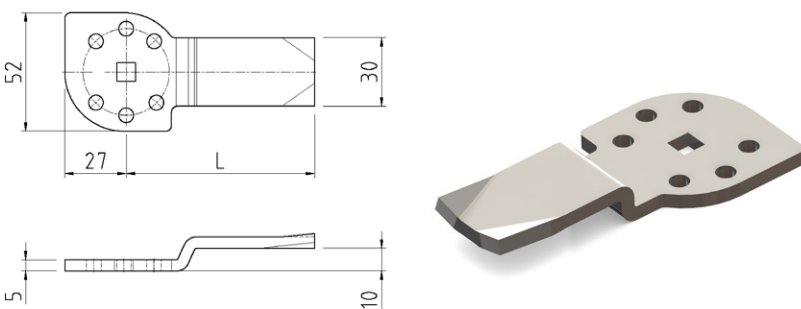
Cam assembled in  
Stainless steel dish folding T handle



DIMENSION "L"	APPLICATION	PART NUMBER
66 (Standard)	Stainless steel dish folding T handle	P3251-06-4
83 (Midnight)	Zinc dish folding T handle	P3251-06-13



Cam assembled in  
Zinc dish folding T handle



DIMENSION "L"	APPLICATION	PART NUMBER
66 (Standard)	Stainless steel dish folding T handle	P3251-06-6
83 (Midnight)	Zinc dish folding T handle	P3251-06-12

## MATERIAL & FINISH:

- Mild steel
- Zinc plated
- 5mm material thickness

Stainless steel range available  
on request