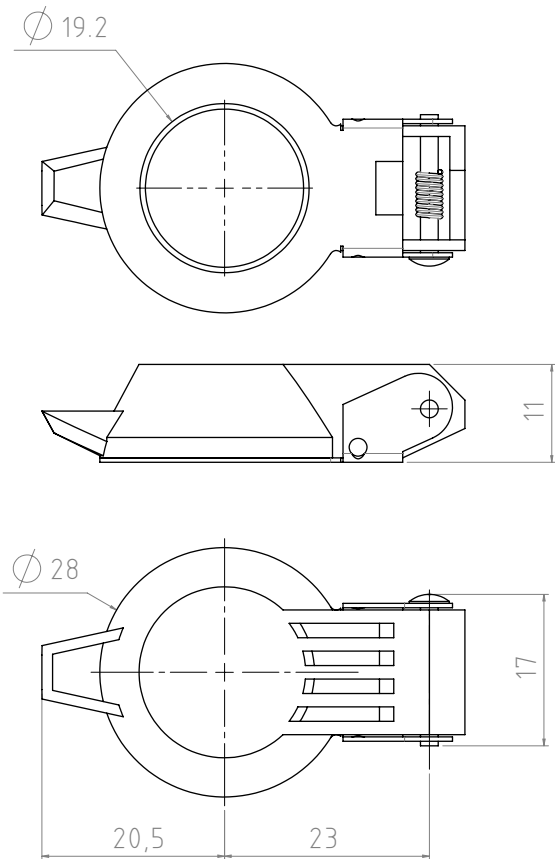
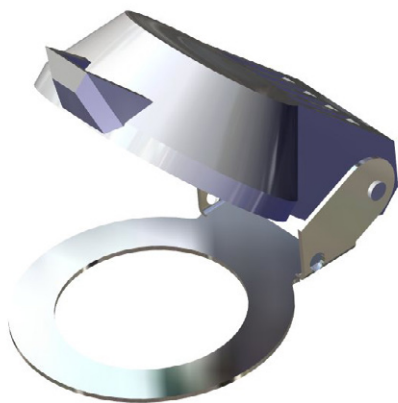


DUST CAP

MATERIAL & FINISH:

Zinc die cast



DIAMETER	FINISH	PART NUMBER
28 mm	Zinc die cast	DP001