

HEAVY DUTY FOLDING T HANDLE

FEATURES:

- New modern design
- Stainless steel dish (mirror-like finish)
- IP65 (when [dust cap](#) fitted)
- Heavy duty construction
- Suitable for 1 or 3 point locking

DIMENSIONS:

Height = 128.5mm
Width = 130mm

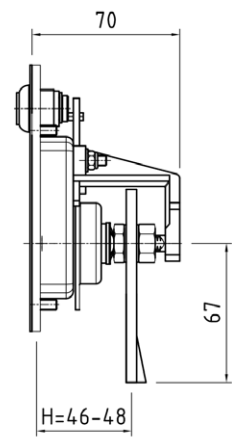
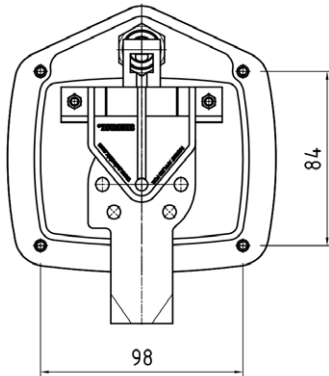
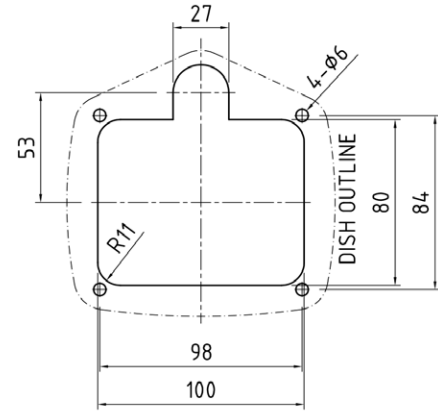
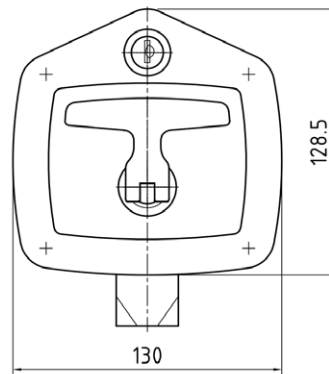
MATERIAL & FINISH:

Handle Zinc die, chrome plated
Bracket Zinc die cast
Dish Stainless steel
Cam & Shaft Mild steel, zinc plated

ACCESSORIES:

Pins for rods 10502-PIN
[RODS](#) [ROD1200E](#)

[Add DUST-CAP for IP65 rating \(page 7-5\)](#)



Please note: Add -R to part number for adjustable roller cam, [see section 7-7](#)

KEY NUMBER	MOUNTING METHOD	PART NUMBER
CH5##	Holes	10502-CH5##-N
CH5##	M5 studs	10502-CH5##-S-N