

MIDNIGHT SERIES FOLDING T HANDLE

FEATURES:

- New modern design
- Heavy duty construction
- Suitable for 1 or 3 point locking
- New plastic spring clicker
- High security automotive barrel
- Suit padlock up to 8mm

DIMENSIONS:

Height = 140mm
Width = 140mm

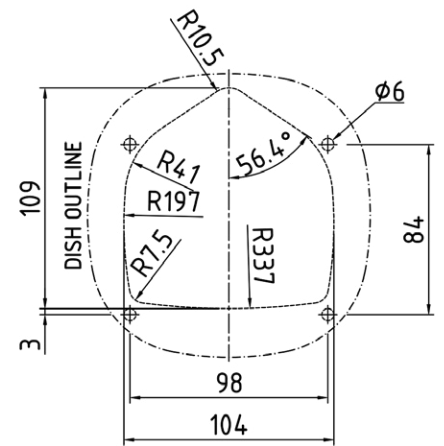
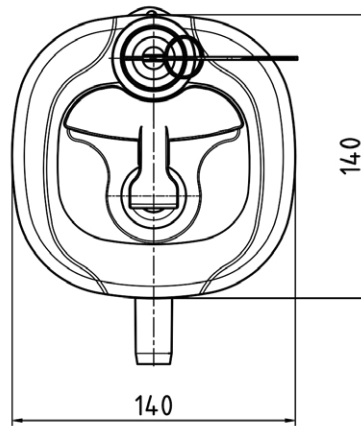
MATERIAL & FINISH:

Bracket Zinc die, zinc plated
Cam & Shaft Mild steel, zinc plated

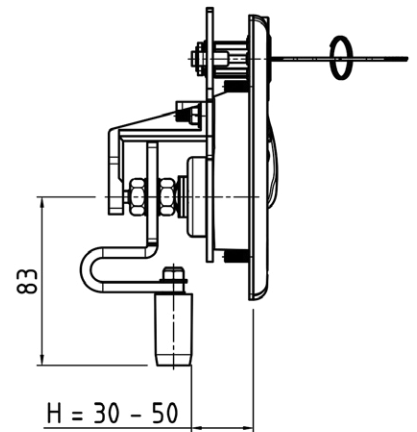
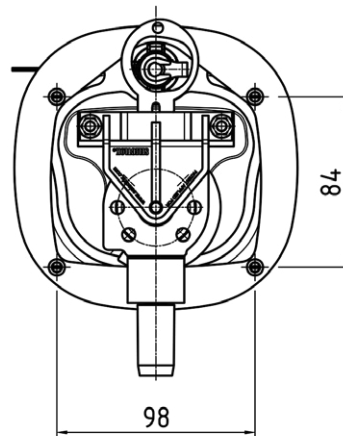
ACCESSORIES:

Roller Kit 10502-RRK

PART NUMBER	QTY	PAGE
• RG007	2	3-11
• RG008	2	3-8
• 10502-PIN	2	-
• ROD1200E	2	3-10



CUT-OUT



HANDLE	DISH	KEY NUMBER	PART NUMBER
Black satin, EDP coated	Black satin, EDP coated	SK#	10503-SK#-ZBB
Chrome plated	Black satin, EDP coated	SK#	10503-SK#-ZBC
Chrome plated	Chrome plated	SK#	10503-SK#-ZCC

Patent/design registration applied for