

LOCKABLE SLIDE LATCH

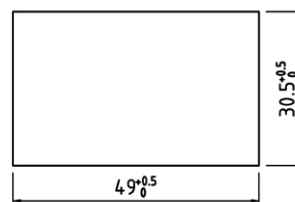
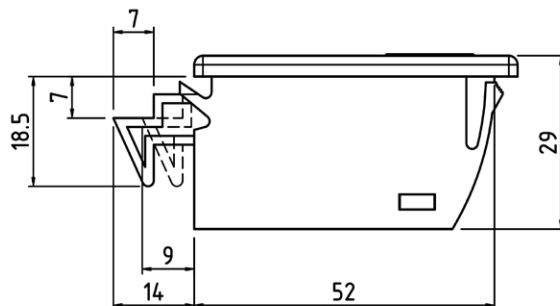
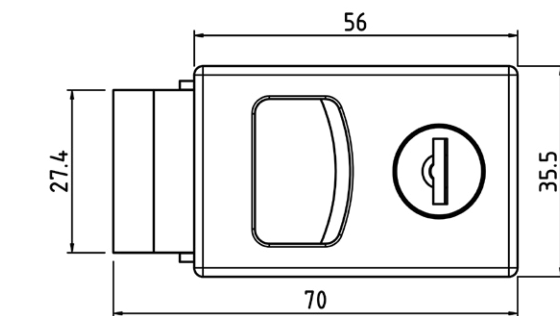
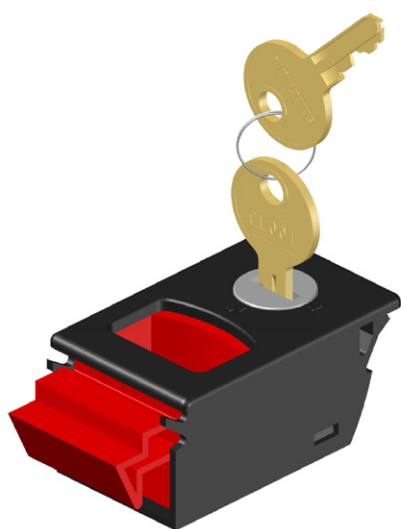
FEATURES:

- Suits 0.8mm to 2.3mm door thickness
- 6.5mm stroke

MATERIAL:

Polyamide

**Also available with slam shut while in locked state



CUT-OUT

KEY CODE	COLOUR	PART NUMBER
CL001	Black - black	PI5259-02-01
92268	Black - black	PI5259-02-02

*Other dimension available upon request moq applies