

# IND C-SERIES

## ECONOMY BARREL SWING HANDLE



### FEATURES:

- Vandal resistant
- Park position with “click”
- Semi flush
- IP65 rated
- Available in many key combinations
- Suits rod latch

### MATERIAL & FINISH:

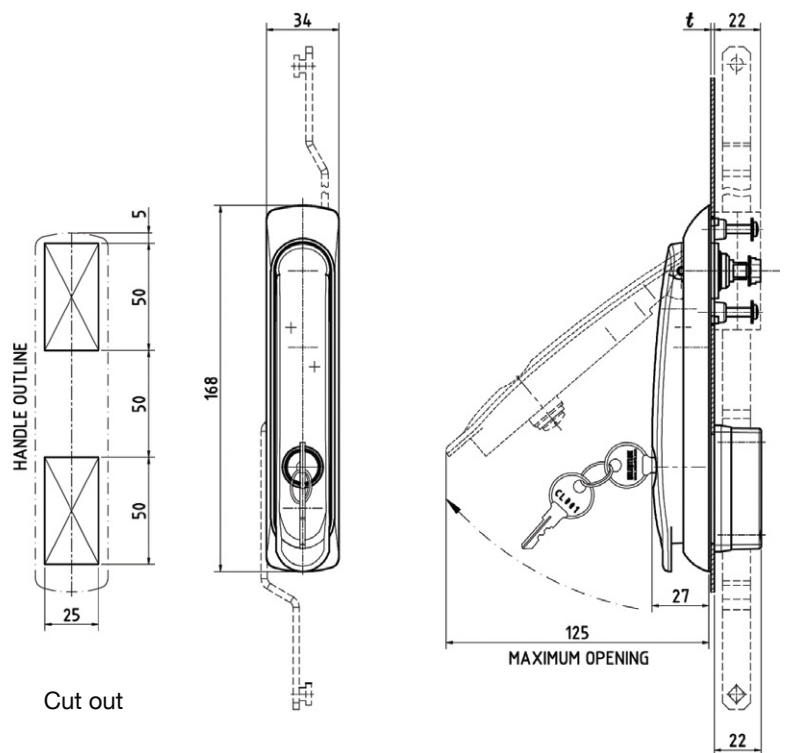
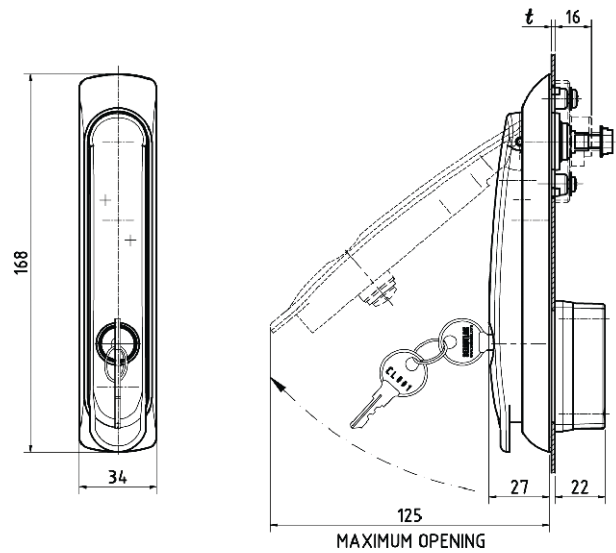
Handle	Zinc die
Base	Zinc die
Shaft	Mild steel, Zinc plated
Cover	Black polyamide

### STANDARD LATCH/CAMS AVAILABLE:

- [Single point cam with various “H” dimension](#)
- [HMS103C-1-1 Rod latch mechanism with square quick fit stubs](#)
- [HMS103C-1-1-R Rod latch mechanism with round rod stubs](#)
- [Roller cams refer to page 3-1](#)

Product with part number :  
1107SCCU3-IND-C-xx “PASS” IP65  
Test

“##” Denotes key number [refer to page 5-1](#)



Cut out

KIT	ANGLE OF ROTATION	PART NUMBER
Rectangular Boss without Stopper and Shaft Adapter	360°	PI5285-KIT
Rectangular Boss with Stopper and Shaft Adapter	180°	PI5285-KIT-1

\* Kit sold separately

Door Material Thickness  $t$  (mm)  $1.5 \leq t < 2.5^*$

BASE FINISH	HANDLE FINISH	PART NUMBER
Black EDP coated	Black EDP coated	1107SBBU3-IND-C-##
Black EDP coated	Chrome plated	1107SBCU3-IND-C-##
Chrome plated	Chrome plated	1107SCCU3-IND-C-##

\* Add Shaft Spacer (Part No. PI5285-06) For 2.5-3.5mm Door Material Thickness (Sold Separately)