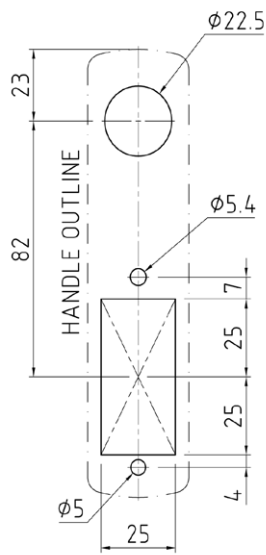
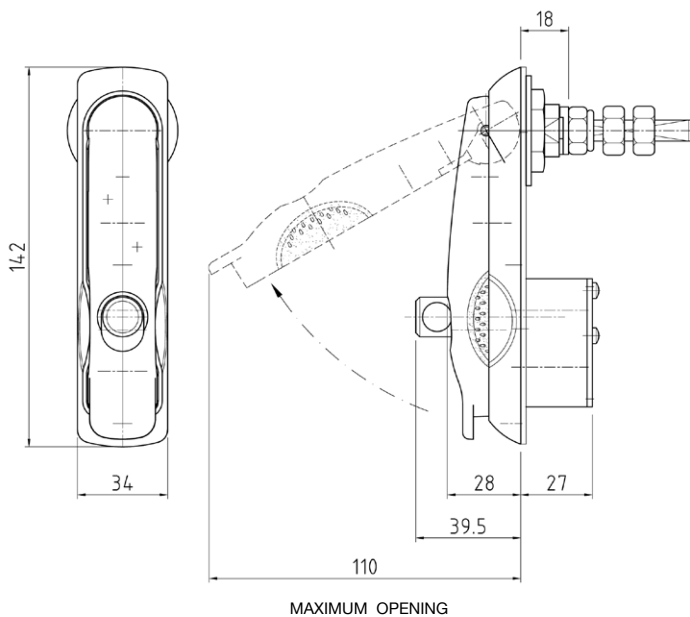




ESELON SERIES PADLOCKABLE SWING HANDLE



SELECTRIX® cut out



FEATURES:

- Vandal resistant
- Semi flush
- Park position with “click”
- IP65 rated
- Suits padlock up to 10mm
- 90° left & right stopper

DIMENSIONS:

Shaft Length = 68mm
 Square size = 8mm

MATERIAL & FINISH:

Handle Zinc die
 Base Zinc die
 Shaft Mild steel, Zinc plated

STANDARD CAMS AVAILABLE:

- [1000-1586 Single point](#)
- [1000-1587 3 point with adapters](#)
- [1000-1588 3 point without adapters](#)
- [1000-1592 Internal handle](#)
- [P2535 Emergency internal handle](#)
- [Roller cams refer to page 3-1](#)



BASE FINISH	HANDLE FINISH	PART NUMBER
Chrome plated	Chrome plated	1107SCCU3N-PAD