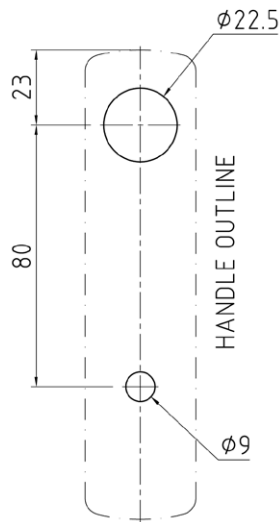
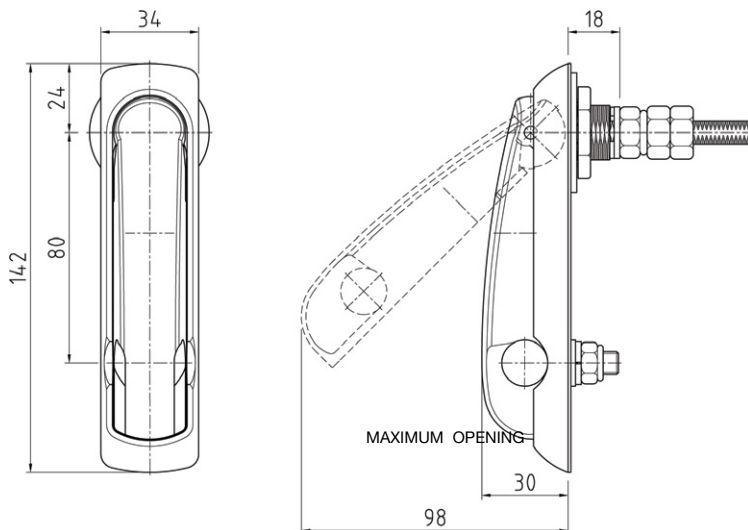




ESELON SERIES PADLOCKABLE SWING HANDLE



SELECTRIX® cut out



FEATURES:

- Vandal resistant
- Suits padlock up to 13mm
- Park position with “click”
- Sleek, modern design
- IP65 rated
- 90° left & right stopper

DIMENSIONS:

Shaft Length = 68mm
 Square size = 8mm

MATERIAL & FINISH:

Handle Zinc die
 Base Zinc die
 Shaft Mild steel, Zinc plated
 Hasp Hardened Forged steel, Chrome plated

* [Stainless steel range refer to page 5-5](#)

STANDARD CAMS AVAILABLE:

- [1000-1586 Single point](#)
- [1000-1587 3 point with adapters](#)
- [1000-1588 3 point without adapters](#)
- [1000-1592 Internal handle](#)
- [P2535 Emergency internal handle](#)
- [Roller cams refer to page 3-1](#)



BASE FINISH	HANDLE FINISH	PART NUMBER
Black EDP coated	Black EDP coated	1107SBB04N
Black EDP coated	Chrome plated	1107SBC04N
Chrome plated	Chrome plated	1107SCC04N