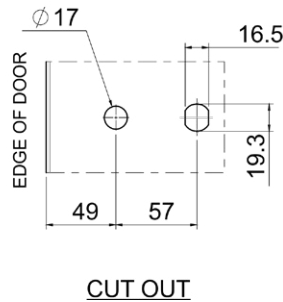
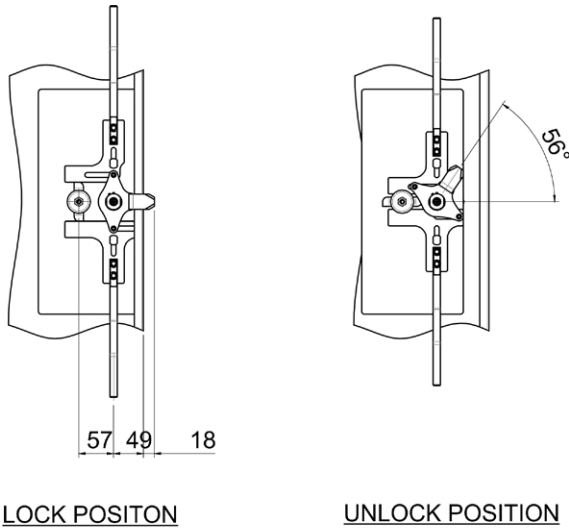


# C-CLASS LOCK ASSEMBLY



## FEATURES:

- Very high protective security
- Double locking mechanism
- BiLock cylinder
- Mount plate is mandatory

Please note: the locking bars (PI5138-xx) and mount plate (see table below) are sold separately

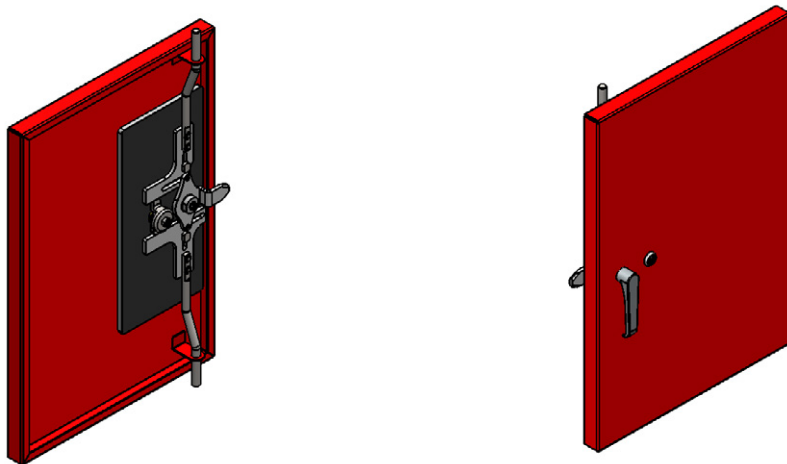
## MATERIAL & FINISH:

Material & Finish:

|                        |                                   |
|------------------------|-----------------------------------|
| Handle                 | Zinc die, Nickel<br>Chrome plated |
| Base                   | Zinc die, Nickel<br>Chrome plated |
| Locking Mechanism Unit | Mild steel, Zinc<br>plated        |
| Shaft                  | Mild steel, Zinc<br>plated        |

## STANDARD CAMS AVAILABLE:

- BiLock not supplied



Mounting plate

| HANDEDNESS | THICKNESS | PART NUMBER          |
|------------|-----------|----------------------|
| RH         | 8         | C-CLASS-MK4-PLATE    |
| LH         | 8         | C-CLASS-MK4-LH-PLATE |

| BASE FINISH                    | HANDLE FINISH                  | HANDEDNESS | PART NUMBER    |
|--------------------------------|--------------------------------|------------|----------------|
| Zinc die, Nickel chrome plated | Zinc die, Nickel chrome plated | RH         | C-CLASS-MK4    |
| Zinc die, Nickel chrome plated | Zinc die, Nickel chrome plated | LH         | C-CLASS-MK4-LH |

