

B-CLASS LOCK ASSEMBLY

FEATURES:

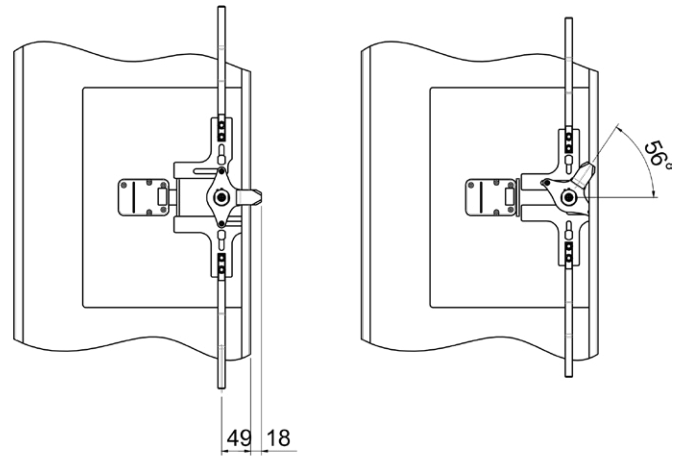
- Very high protective security
- Double locking mechanism
- LaGard lock suitability (not included)
- Mount plate is mandatory

Please note: the locking bars (PI5138-##) and mount plate (see table below) are sold separately

MATERIAL & FINISH:

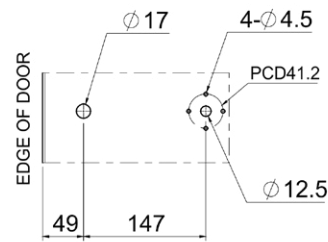
Handle	Zinc die, Nickel Chrome plated
Base	Zinc die, Nickel Chrome plated
Locking Mechanism Unit	
Shaft	Mild steel, Zinc plated

LaGard Lock not supplied

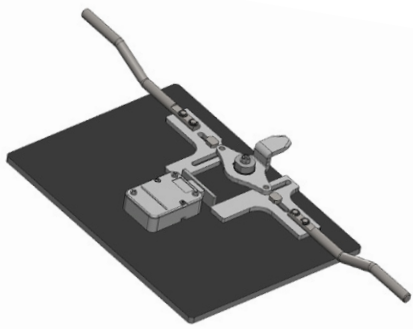
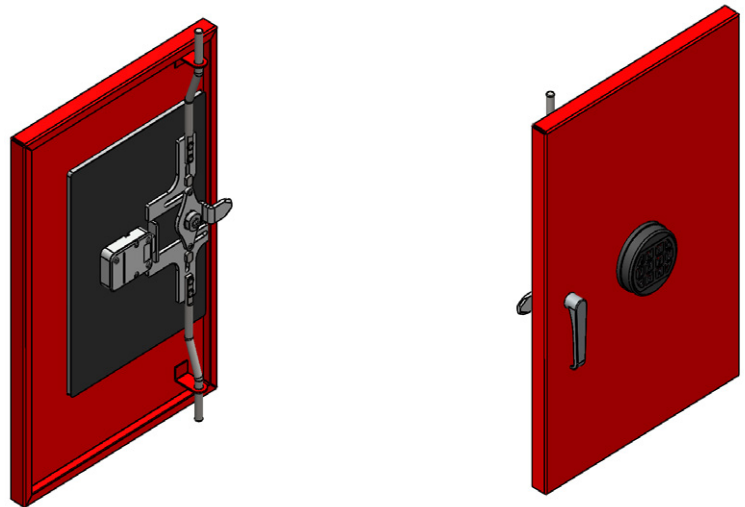


LOCK POSITION

UNLOCK POSITION



CUT OUT



Mounting plate

HANDEDNESS	THICKNESS	PART NUMBER
RH	8	B-CLASS-MK4-PLATE
LH	8	B-CLASS-MK4-LH-PLATE

BASE FINISH	HANDLE FINISH	HANDEDNESS	PART NUMBER
Zinc die, Nickel chrome plated	Zinc die, Nickel chrome plated	RH	B-CLASS-MK4
Zinc die, Nickel chrome plated	Zinc die, Nickel chrome plated	LH	B-CLASS-MK4-LH