

CENTRAL LOCKING SWING HANDLE



FEATURES:

- Electrically actuated
- Park position with “click”
- Can be connected to vehicles existing system
- Key override (lock/unlock)
- 2 wire connection - 12 volt DC
- 90° left & right stopper

DIMENSIONS:

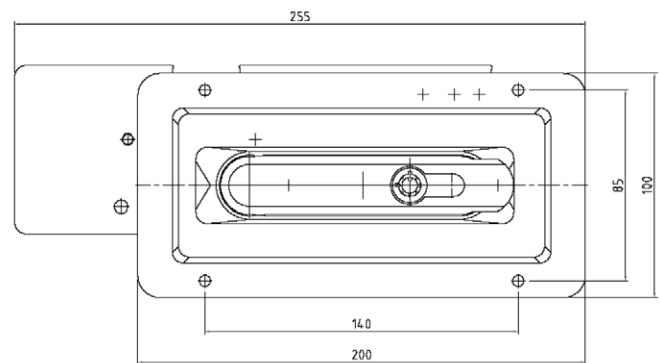
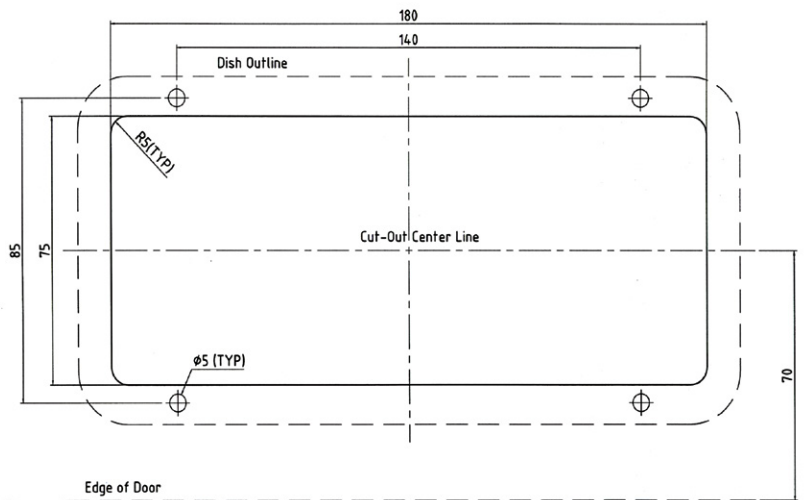
Shaft Length = 68mm
Square size = 8mm

MATERIAL & FINISH:

Handle & Base Zinc die, Chrome plated
Shaft Mild steel, Zinc plated
Dish Stainless steel

STANDARD CAMS AVAILABLE:

- [1000-1586](#) Single point
- [1000-1587](#) 3 point with adapters
- [1000-1588](#) 3 point without adapters
- [1000-1592](#) Internal handle
- [P2535](#) Emergency internal handle
- [Roller cams refer to page 3-1](#)



KEY NUMBER	PART NUMBER	KEY NUMBER	PART NUMBER
M60201	1107SCCU3-EL-01	M60211	1107SCCU3-EL-11
M60202	1107SCCU3-EL-02	M60212	1107SCCU3-EL-12
M60203	1107SCCU3-EL-03	M60213	1107SCCU3-EL-13
M60204	1107SCCU3-EL-04	M60214	1107SCCU3-EL-14
M60205	1107SCCU3-EL-05	M60215	1107SCCU3-EL-15
M60206	1107SCCU3-EL-06	M60216	1107SCCU3-EL-16
M60207	1107SCCU3-EL-07	M60217	1107SCCU3-EL-17
M60208	1107SCCU3-EL-08	M60218	1107SCCU3-EL-18
M60209	1107SCCU3-EL-09	M60219	1107SCCU3-EL-19
M60210	1107SCCU3-EL-10	M60220	1107SCCU3-EL-20