

MINI PADLOCKABLE SWING HANDLE



FEATURES:

- Vandal resistant
- IP65 rated
- Semi flush
- Suits padlock up to 13mm
- 13mm hasp-new cut-resistant material

DIMENSIONS:

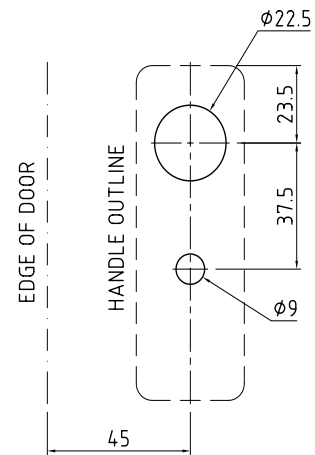
Shaft Length = 68mm
Square size = 8mm

MATERIAL & FINISH:

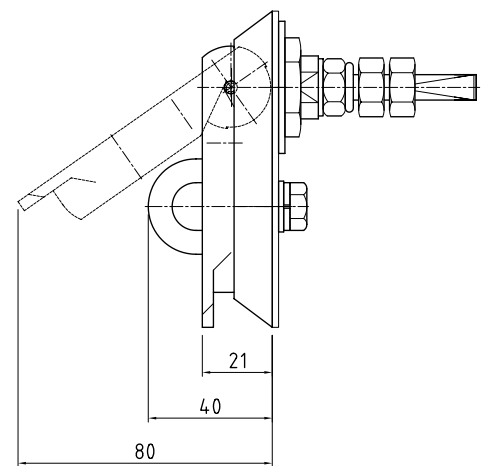
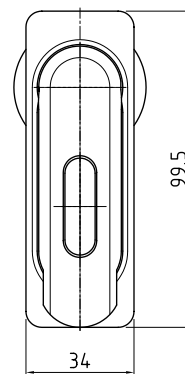
Handle Zinc die
Base Zinc die
Shaft Mild steel, Zinc plated
Hasp Hardened Forged steel, Chrome plated

STANDARD CAMS AVAILABLE:

- [1000-1586 Single point](#)
- [1000-1587 3 point with adapters](#)
- [1000-1588 3 point without adapters](#)
- [1000-1592 Internal handle](#)
- [P2535 Emergency internal handle](#)
- [Roller cams refer to page 3-1](#)



SELECTRIX® cut out



MAXIMUM OPENING

BASE FINISH	HANDLE FINISH	PART NUMBER
Zinc die cast	Black EDP coated	1107MBB04
Zinc die cast	Chrome plated	1107MCC04

For Stainless steel hasp add "W" to end of part number