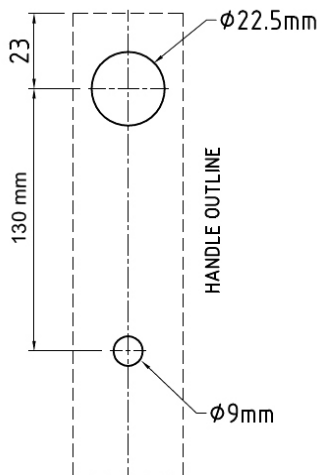
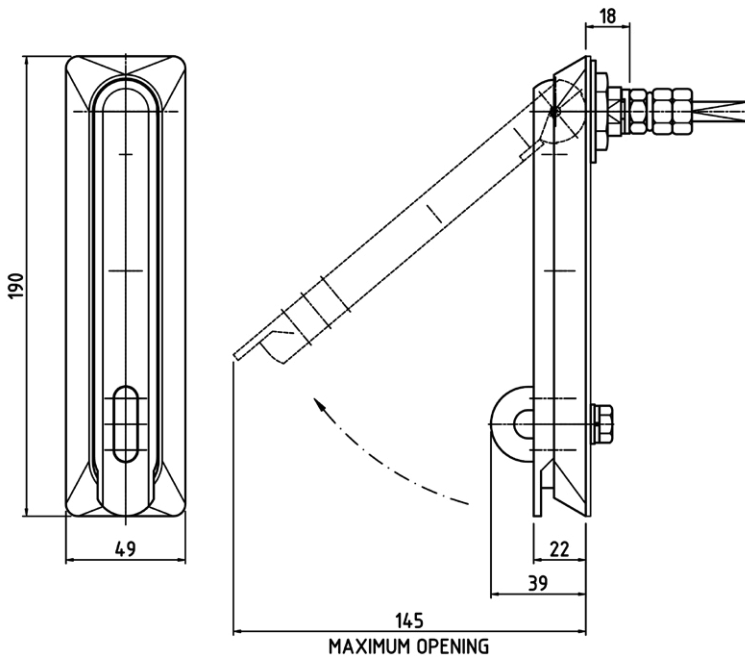




MILLENNIUM SERIES HIGH DUTY PADLOCKABLE SWING HANDLE



SELECTRIX® cut out



FEATURES:

- Vandal resistant
- Park position with “click”
- Semi flush
- IP65 rated
- 13mm hasp-new cut-resistant material
- Suits padlock up to 13mm
- 90° left & right stopper
- Stainless steel hasp

DIMENSIONS:

Shaft Length = 68mm
 Square size = 8mm

MATERIAL & FINISH:

Handle Zinc die
 Base Zinc die
 Shaft Mild steel, Zinc plated
 Hasp Hardened Forged steel,
 Chrome Plated

STANDARD CAMS AVAILABLE:

- [1000-1586](#) Single point
- [1000-1587](#) 3 point with adapters
- [1000-1588](#) 3 point without adapters
- [1000-1592](#) Internal handle
- [P2535](#) Emergency internal handle
- [Roller cams refer to page 3-1](#)



BASE FINISH	HANDLE FINISH	PART NUMBER
Black EDP coated	Chrome plated	1107-BBCH