

MILLENNIUM SERIES STAINLESS STEEL PADLOCKABLE SWING HANDLE



FEATURES:

- Vandal resistant
- Semi flush
- Park position with “click”
- IP65 rated
- Suits padlock up to 13mm
- 90° left & right stopper

DIMENSIONS:

Shaft Length = 68mm
Square size = 8mm

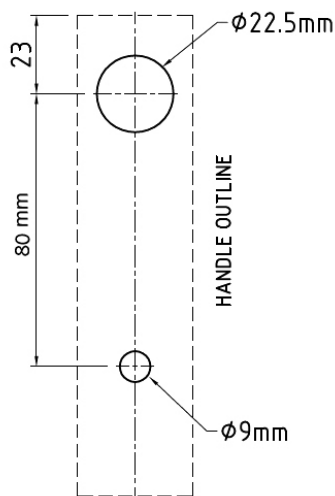
MATERIAL & FINISH:

Handle & Base
Stainless steel cast alloy CF-8M
(equivalent to wrought stainless steel
AISI 316)

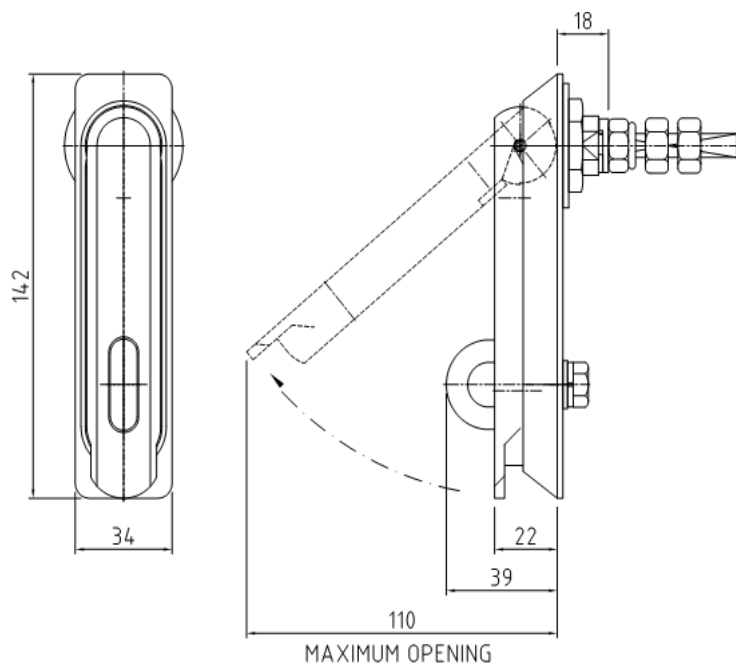
Shaft Stainless steel 316

STANDARD CAMS AVAILABLE:

- [1000-1586 Single point](#)
- [1000-1587 3 point with adapters](#)
- [1000-1588 3 point without adapters](#)
- [1000-1587-SS 3 point with adapters](#)
- [1000-1588-SS 3 point without adapters](#)
- [1000-1592 Internal handle](#)
- [P2535 Emergency internal handle](#)
- [Roller cams refer to page 3-1](#)



SELECTRIX® cut out



BASE FINISH	HANDLE FINISH	PART NUMBER
Mirror-like Finish	Mirror-like Finish	1107-SS02-316
Brushed	Brushed	1107-SS02-316-B (Centre distance=82mm)