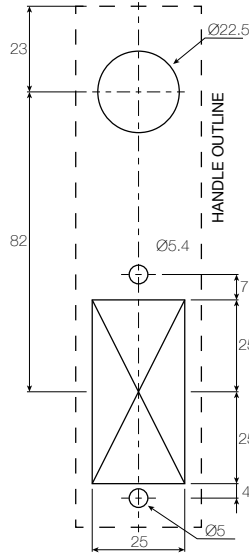
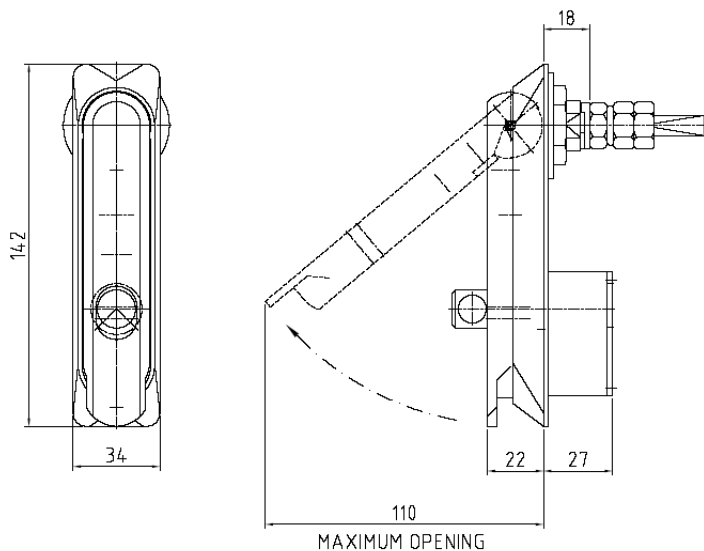




# MILLENNIUM SERIES PADLOCKABLE SWING HANDLE



**SELECTRIX®** cut out



## FEATURES:

- Vandal resistant
- Park position with “click”
- Semi flush
- IP65 rated
- Suits padlock up to 10mm
- 90° left & right stopper

## DIMENSIONS:

Shaft Length = 68mm  
Square size = 8mm

## MATERIAL & FINISH:

Handle Zinc die  
Base Zinc die  
Shaft Mild steel, Zinc plated

## STANDARD CAMS AVAILABLE:

- [1000-1586](#) Single point
- [1000-1587](#) 3 point with adapters
- [1000-1588](#) 3 point without adapters
- [1000-1592](#) Internal handle
- [P2535](#) Emergency internal handle
- [Roller cams refer to page 3-1](#)



BASE FINISH	HANDLE FINISH	PART NUMBER
Chrome plated	Chrome plated	1107SCCU3-PAD