

MILLENNIUM SERIES ECONOMY BARREL PADLOCKABLE SWING HANDLE



FEATURES:

- Vandal resistant
- Key and padlockable
- Park position with “click”
- Semi flush
- Suits padlock up to 13mm
- IP65 rated
- Available in many key combinations
- 90° left & right stopper

DIMENSIONS:

Shaft Length = 68mm
Square size = 8mm

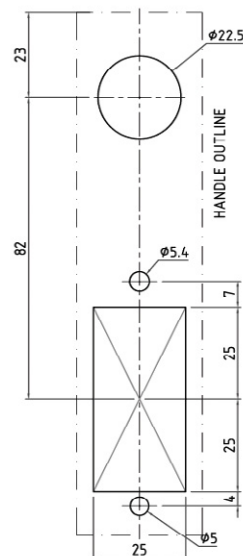
MATERIAL & FINISH:

Handle Zinc die
Base Zinc die
Shaft Mild steel, Zinc plated
Hasp Stainless steel

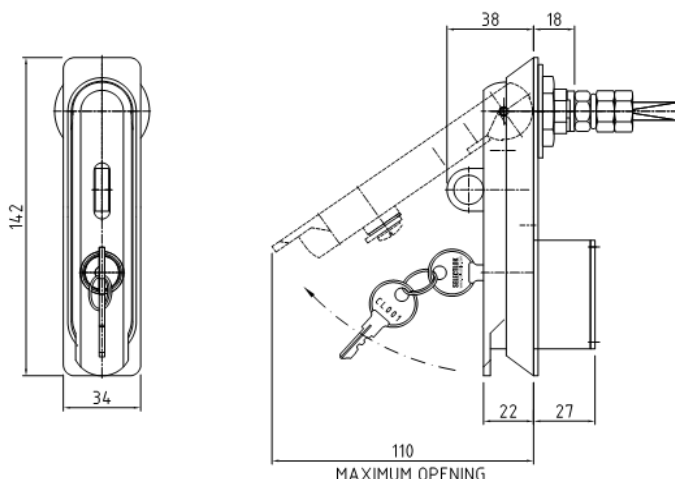
STANDARD CAMS AVAILABLE:

- [1000-1586 Single point](#)
- [1000-1587 3 point with adapters](#)
- [1000-1588 3 point without adapters](#)
- [1000-1592 Internal handle](#)
- [P2535 Emergency internal handle](#)
- [Roller cams refer to page 3-1](#)

Stainless steel range available on request



SELECTRIX® cut out



BASE FINISH	HANDLE FINISH	KEY NUMBER	PART NUMBER
Chrome plated	Chrome plated	CL001	1107SCCU3-01-PAD
Chrome plated	Chrome plated	92268	1107SCCU3-02-PAD
Chrome plated	Chrome plated	604	1107SCCU3-03-PAD
Chrome plated	Chrome plated	CL003	1107SCCU3-07-PAD
Chrome plated	Chrome plated	144	1107SCCU3-11-PAD
Chrome plated	Chrome plated	320	1107SCCU3-14-PAD