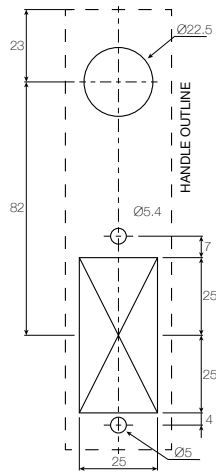
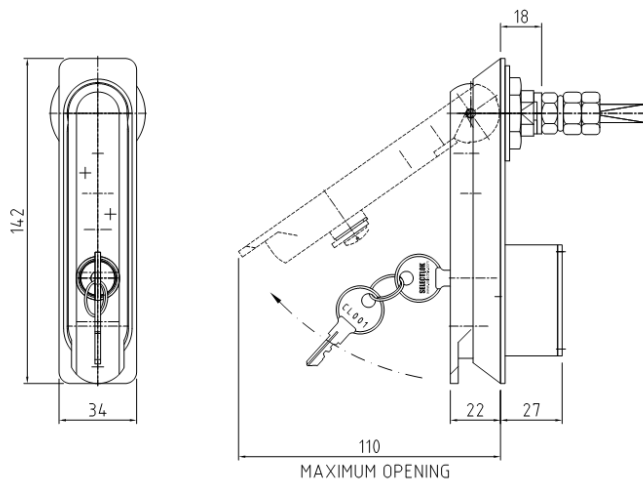




# MILLENNIUM SERIES ECONOMY BARREL SWING HANDLE



**SELECTRIX®** cut out



## FEATURES:

- Vandal resistant
- Park position with “click”
- Semi flush
- IP65 rated
- Available in many key combinations
- 90° left & right stopper

## DIMENSIONS:

Shaft Length = 68mm  
Square size = 8mm

## MATERIAL & FINISH:

Handle Zinc die  
Base Zinc die  
Shaft Mild steel, Zinc plated

\* Stainless steel range refer to page 5-29

## STANDARD CAMS AVAILABLE:

- [1000-1586 Single point](#)
- [1000-1587 3 point with adapters](#)
- [1000-1588 3 point without adapters](#)
- [1000-1592 Internal handle](#)
- [P2535 Emergency internal handle](#)
- [Roller cams refer to page 3-1](#)

BASE FINISH	HANDLE FINISH	KEY NUMBER	PART NUMBER
Chrome plated	Chrome plated	CL001	1107SCCU3-01
Chrome plated	Chrome plated	92268	1107SCCU3-02
Chrome plated	Chrome plated	604	1107SCCU3-03
Chrome plated	Chrome plated	CL003	1107SCCU3-07
Chrome plated	Chrome plated	144	1107SCCU3-11
Chrome plated	Chrome plated	320	1107SCCU3-14
Chrome plated	Chrome plated	FS880	1107SCCU3-20
Chrome plated	Chrome plated	Mixed	1107SCCU3-0M

\* Other finishes available, including Black EDP, Black Chrome

\* For dust cap feature, add “D” to end of part number

Please note: Selectlok/Selectrix reserves the right to alter designs and dimensions without notice.  
©Selectrix Industries Pty Ltd and Selectlok NZ Limited.

