

MILLENNIUM SERIES STAINLESS STEEL ECONOMY BARREL SWING HANDLE

FEATURES:

- With lock dustcover
- Vandal resistant
- Park position with “click”
- Semi flush
- IP65 rating
- Available in many key combinations
- 90° left & right stopper

DIMENSIONS:

Shaft Length = 68mm
Square size = 8mm

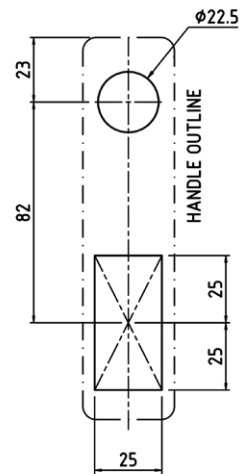
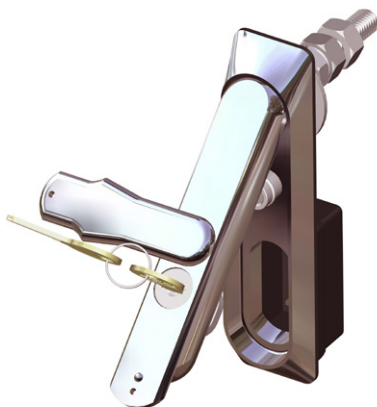
MATERIAL & FINISH:

Handle & Base Stainless steel cast alloy CF-8M (equivalent to wrought stainless steel AISI 316)

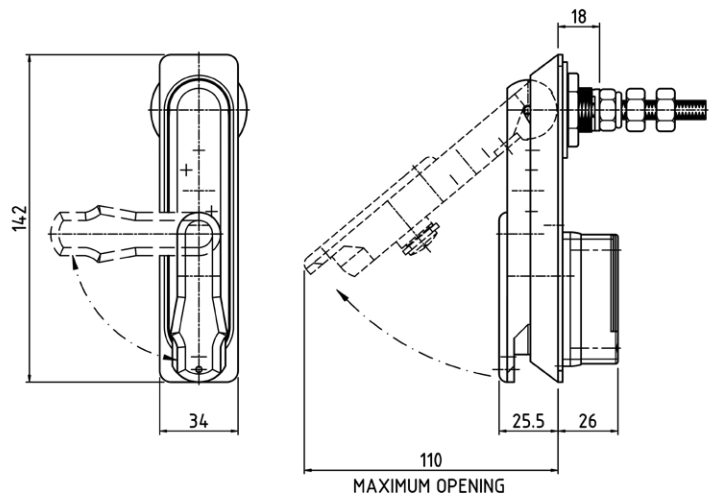
Shaft Stainless steel 316

STANDARD CAMS AVAILABLE:

- [1000-1586](#) Single point
- [1000-1587](#) 3 point with adapters
- [1000-1588](#) 3 point without adapters
- [1000-1587-SS](#) 3 point with adapters
- [1000-1588-SS](#) 3 point without adapters
- [1000-1592](#) Internal handle
- [P2535](#) Emergency internal handle
- [Roller cams refer to page 3-1](#)



SELECTRIX® cut out



BASE FINISH	HANDLE FINISH	KEY NUMBER	PART NUMBER
Mirror-like finish	Mirror-like finish	CL001	1107SSSU3-01
Mirror-like finish	Mirror-like finish	92268	1107SSSU3-02
Mirror-like finish	Mirror-like finish	604	1107SSSU3-03
Mirror-like finish	Mirror-like finish	CL003	1107SSSU3-07
Mirror-like finish	Mirror-like finish	144	1107SSSU3-11
Mirror-like finish	Mirror-like finish	320	1107SSSU3-14
Mirror-like finish	Mirror-like finish	FS880	1107SSSU3-20
Mirror-like finish	Mirror-like finish	Mixed	1107SSSU3-0M

* For dust cap feature, add “D” to end of part number