

# MILLENNIUM SERIES EURO PROFILE CYLINDER SWING HANDLE



## FEATURES:

- Vandal resistant
- Park position with “click”
- Semi flush
- IP65 rated
- Suits 40mm profile cylinders
- 90° left & right stopper
- Push Button

## DIMENSIONS:

Shaft Length = 68mm  
Square size = 8mm

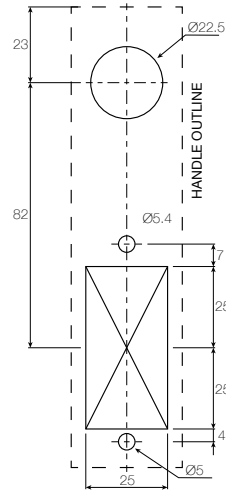
## MATERIAL & FINISH:

Handle Zinc die  
Base Zinc die  
Shaft Mild steel, Zinc plated

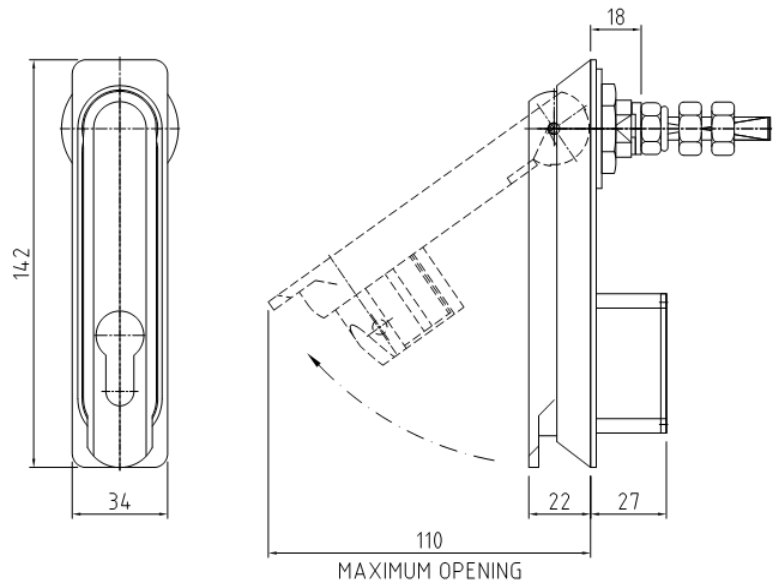
## STANDARD CAMS AVAILABLE:

- [1000-1586](#) Single point
- [1000-1587](#) 3 point with adapters
- [1000-1588](#) 3 point without adapters
- [1000-1592](#) Internal handle
- [P2535](#) Emergency internal handle
- [Roller cams refer to page 3-1](#)

Stainless steel [refer to page 5-14](#)



**SELECTRIX®** cut out



| BASE FINISH      | HANDLE FINISH | PART NUMBER |
|------------------|---------------|-------------|
| Black EDP coated | Chrome plated | 1107SBCU3   |