

IND D-SERIES SWING HANDLE



FEATURES:

- RH or LH application
- 90° rotation
- Lockable with cylinder barrel
- U-shaped fastening bracket
- Fully flush design
- IP65 rated
- Spring loaded handle
- Push button

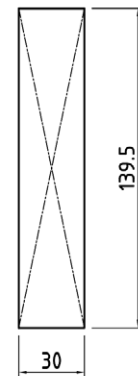
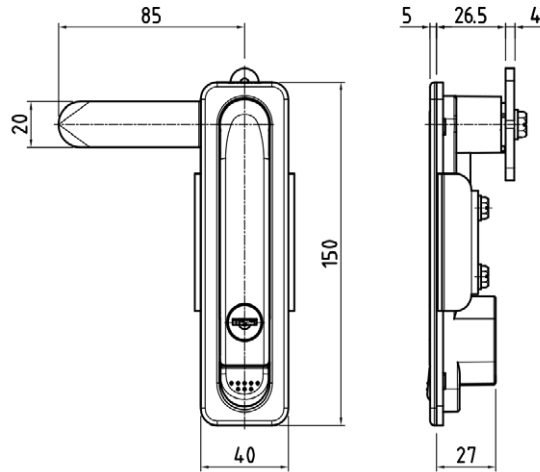
MATERIAL & FINISH:

Handle Zinc die
Base Zinc die
Bracket Mild steel, Zinc plated

STANDARD CAMS AVAILABLE:

- Single cam with various “H” dimension [refer to page 1-14](#)
- Three point cams [refer to page 3-5](#)
- Roller cams [refer to page 3-1](#)

“##” Denotes key number [refer to page 5-1](#)



CUT-OUT



BASE FINISH	HANDLE FINISH	PART NUMBER
Chrome plated	Chrome plated	1107SCCU3-IND-D-##