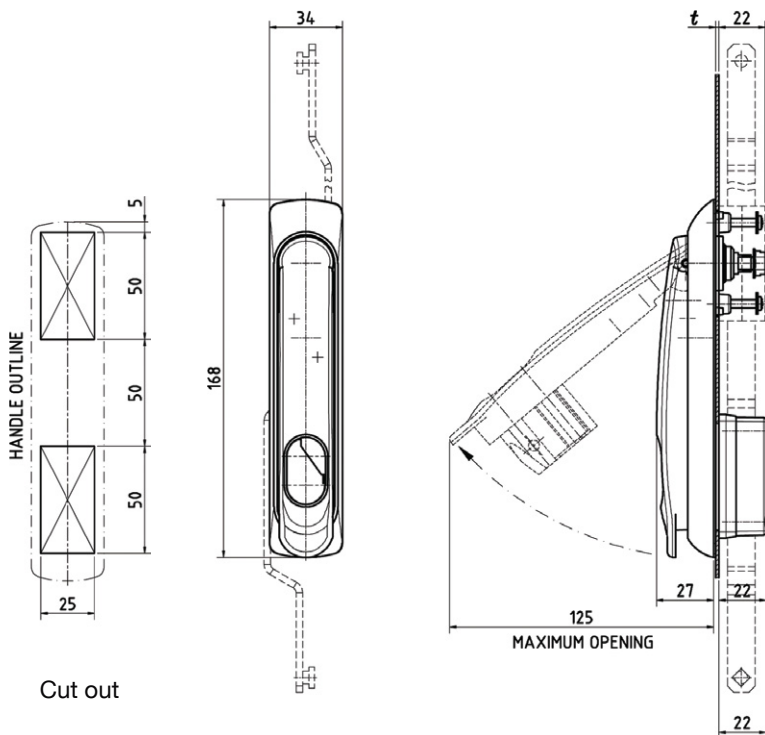
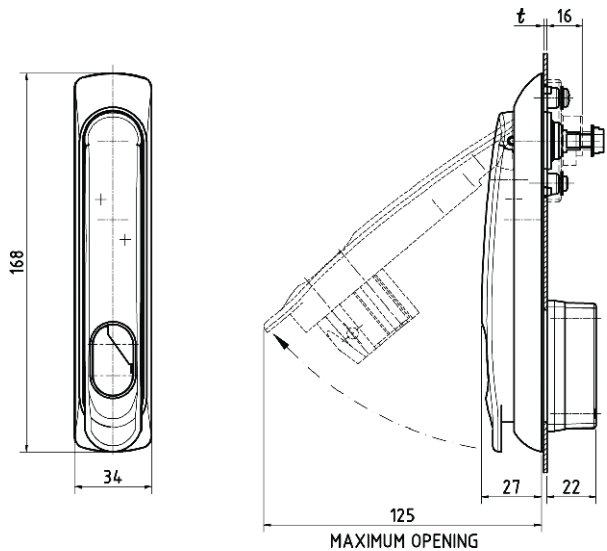




IND-C SERIES

AUSTRALIAN OVAL PROFILE CYLINDER SWING HANDLE



FEATURES:

- Vandal resistant
- Park position with “click”
- Semi flush
- IP65 rated
- Suits Australian oval profile cylinders
- Suits rod latch

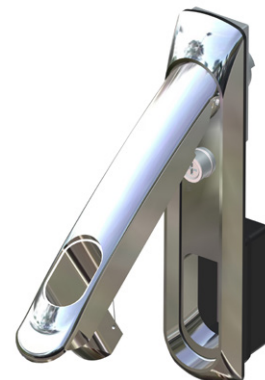
MATERIAL & FINISH:

Handle	Zinc die
Base	Zinc die
Shaft	Mild steel, Zinc plated
Cover	Black polyamide

STANDARD LATCH/CAMS AVAILABLE:

- [Single point cam with various “H” dimension](#)
- [HMS103C-1-1 Rod latch mechanism with square quick fit stubs](#)
- [HMS103C-1-1-R Rod latch mechanism with round rod stubs](#)
- [Roller cams refer to page 3-1](#)

Product with part number :
1107SCCU3-IND-C-xx “PASS” IP65
Test



KIT	ANGLE OF ROTATION	PART NUMBER
Rectangular Boss without Stopper and Shaft Adapter	360°	PI5285-KIT
Rectangular Boss with Stopper and Shaft Adapter	180°	PI5285-KIT-1

* Kit sold separately

Door Material Thickness t (mm) $1.5 \leq t < 2.5^*$

BASE FINISH	HANDLE FINISH	PART NUMBER
Black EDP coated	Black EDP coated	1107SBBA3-IND-C
Chrome plated	Chrome plated	1107SCCA3-IND-C

* Add Shaft Spacer (Part No. PI5285-06) For 2.5-3.5mm Door Material Thickness (Sold Separately)