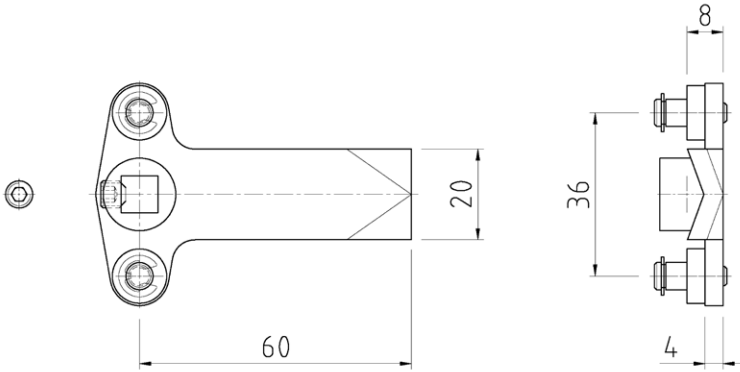
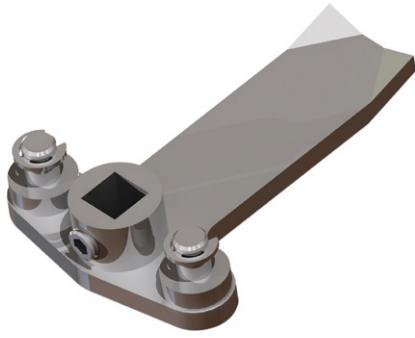


THREE POINT CAM



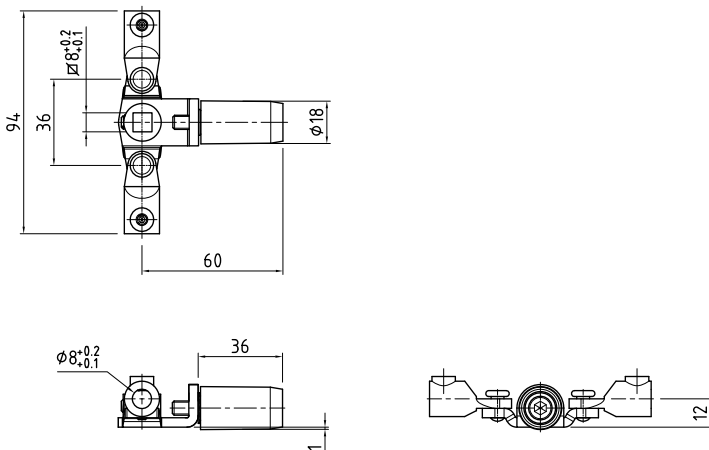
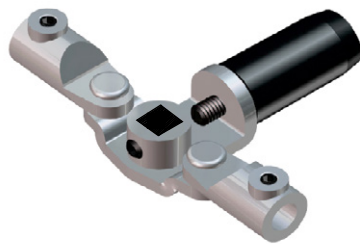
FEATURES:

- Suits 8mm square shaft
- For assembly with rods with eye
- Solid boss
- Grub screw fastening

* Single point cam refer to [page 1-14](#)

MATERIAL	DESCRIPTION	PART NUMBER
Stainless steel	Includes rod adaptors	1000-1587-SS
Stainless steel	Excludes rod adaptors	1000-1588-SS

THREE POINT ROLLER CAM



FEATURES:

- Suits 8mm square shaft
- Fully adjustable
- With fitted rod adaptors
- Solid boss
- Grub screw fastening
- High quality zinc plated

MATERIAL & FINISH:

Cam	Mild steel, Zinc plated
Adapter	Zinc die cast, Zinc plated
Roller	Black Polyamide

DESCRIPTION	PART NUMBER
Three point cam with roller and riveted adapter	1000-1587-RR