

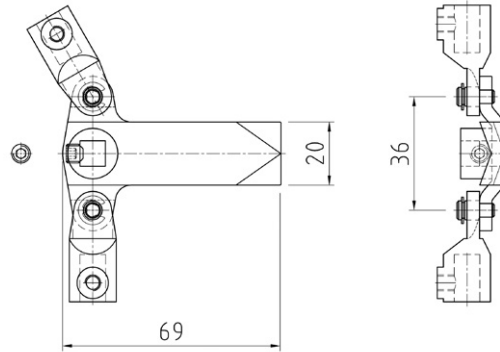
THREE POINT CAM

FEATURES:

- Suits 8mm square shaft
- Fully adjustable
- With fitted rod adapters
- Solid boss
- Grub screw fastening
- High quality zinc plating

MATERIAL & FINISH:

Material Mild steel
Finish Zinc plated



DESCRIPTION	PART NUMBER
Three point cam with Rod adapters	1000-1587

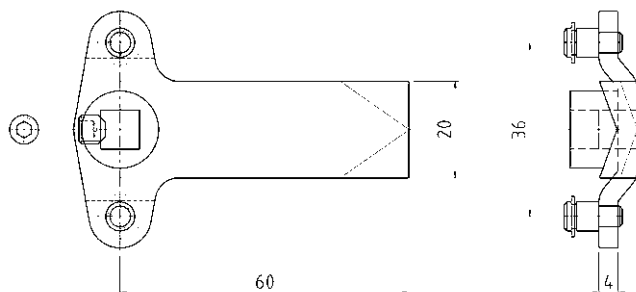
THREE POINT CAM

FEATURES:

- Suits 8mm square shaft
- For assembly with rods with eye
- Solid boss
- Grub screw fastening
- High quality zinc plating

MATERIAL & FINISH:

Material Zinc die cast/mild steel
Finish Zinc plated



DESCRIPTION	PART NUMBER
Three point cam	1000-1588

* [Stainless steel range refer to page 3-6](#)