

SINGLE POINT LOCKING

FEATURES:

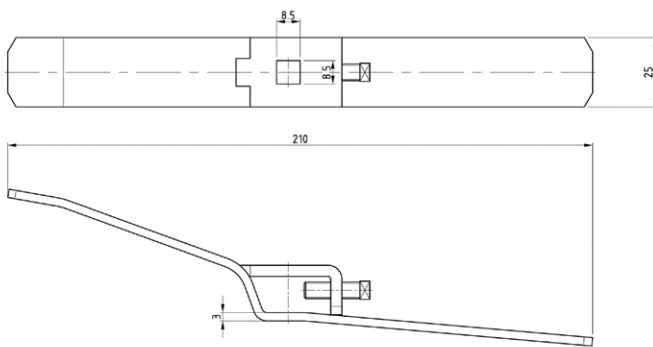
- Suits 8mm square shaft
- Fully adjustable
- Grub screw fastening
- High quality zinc plating

MATERIAL & FINISH:

Material Zinc die cast
Finish Zinc plated



DESCRIPTION	PART NUMBER
Single point cam	1000-1586



INTERNAL HANDLE

FEATURES:

- Suits 8mm square shaft
- Fully adjustable
- Heavy duty construction

MATERIAL & FINISH:

Material Mild steel
Finish Zinc plated

DESCRIPTION	PART NUMBER
Internal handle	1000-1592

