

ROD SLAM CATCH

FEATURES:

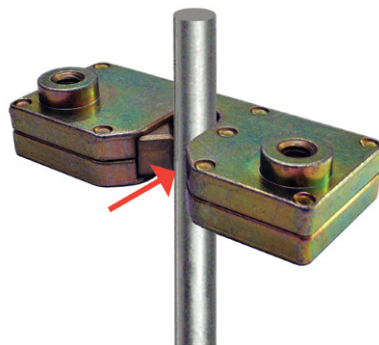
- Allows for slam action for rigid rods
- Can be used with standard handles
- High quality plating
- Suits 8 - 10mm round rods

DIMENSIONS:

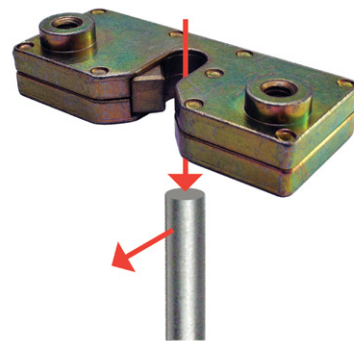
Length	76.2mm
Width	31.7mm
Height	17mm

MATERIAL & FINISH:

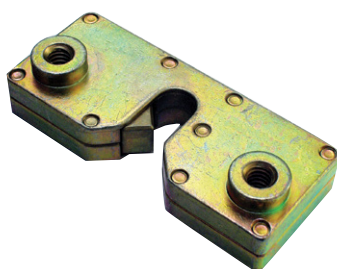
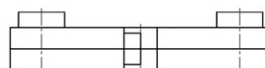
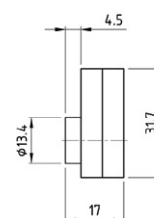
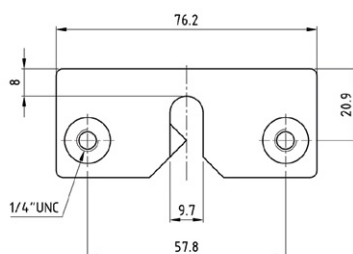
Material:	Zinc die cast
Finish:	Zinc plated



CLOSED



OPEN



DESCRIPTION

PART NUMBER

Rod latch for round rods

2-563