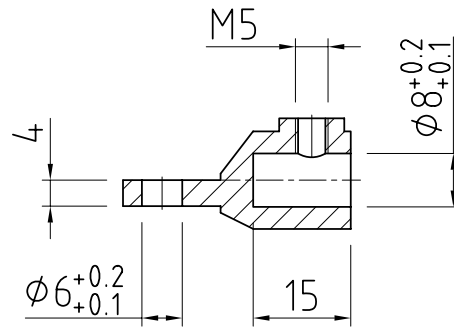
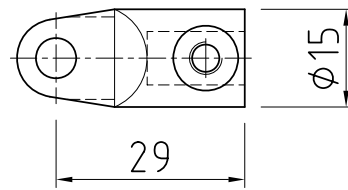
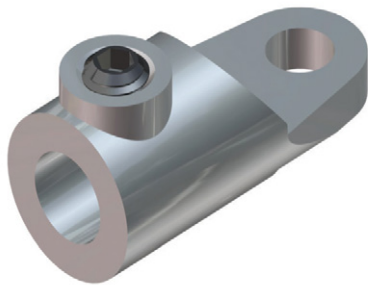


ROD ADAPTER

MATERIAL & FINISH:

Material Zinc die cast/mild steel
Finish Zinc plated

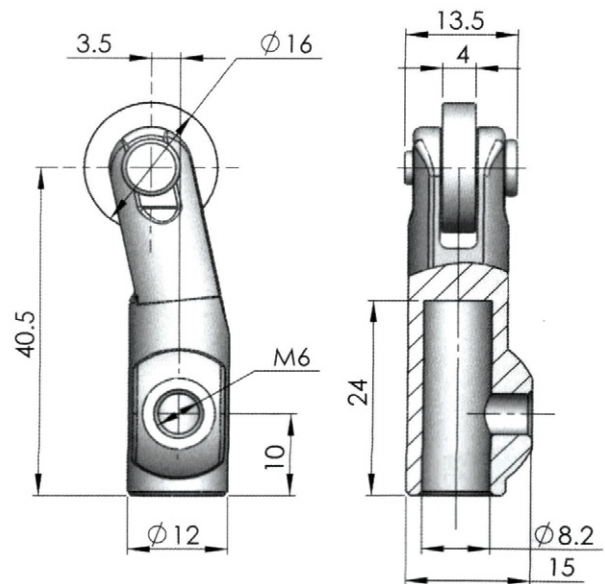
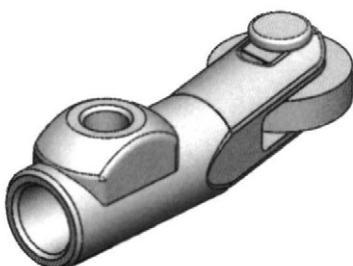


MATERIAL	PART NUMBER
Zinc die cast	RODADAPT
Stainless steel	RODADAPT-SS

ROLLER ROD END ATTACHMENT

MATERIAL:

Body Zinc die cast, chrome plated
Roller Polyamide



DESCRIPTION	PART NUMBER
Roller	RG007