

PUSH KNOB WITH LATCH

FUNCTION:

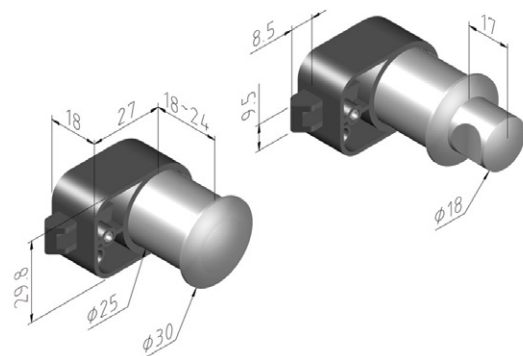
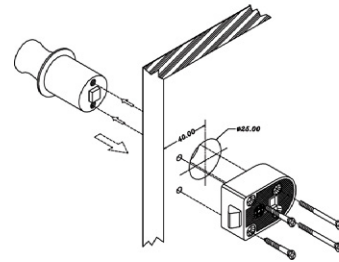
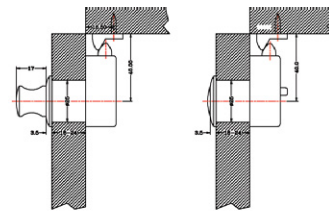
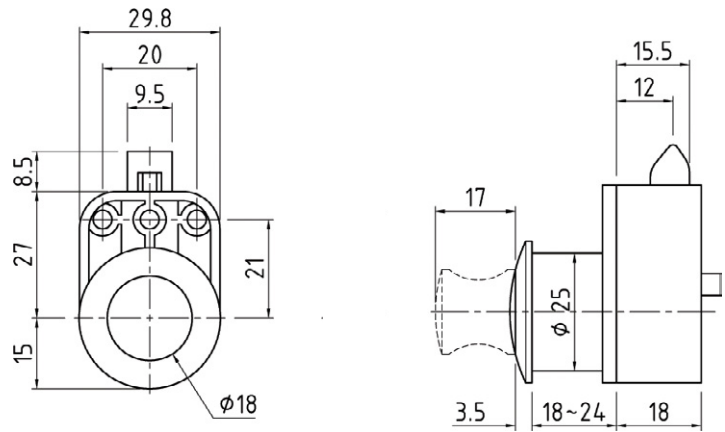
Close the door, push the knob, activate and secure the latch so the door will not open until the knob is pushed again, suitable for left and right side use. Push knob functions as handle while unlocked. High quality plated zinc alloy push knob guarantees the function

MATERIAL:

Plastic bottom black color, Zinc alloy knob

APPLICATION:

Yachts, caravan, mobile homes, floating houses, etc.



FINISH	PART NUMBER
Nickel plated	C-N5100Z
Black nickel plated	C-BN5100Z
Matte nickel plated	C-MN5100Z