

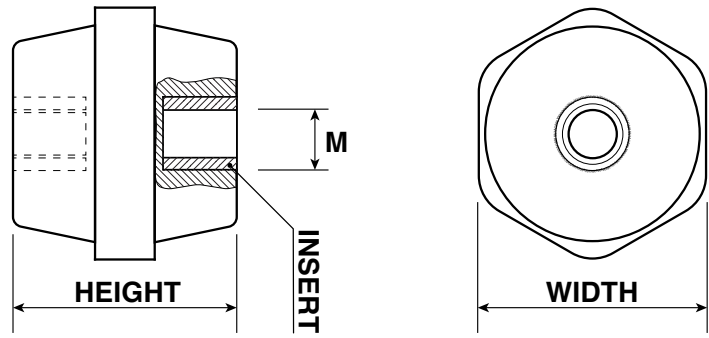
# STAND OFF INSULATOR

## FEATURES:

- Octagon shape for easy installation
- High dielectric strength
- Arc quenching and tracking
- Wear and corrosion resistant
- High quality finish and appearance
- High mechanical strength
- Dimensional stability
- Moulded-in brass insert
- Chemical and oil resistant

## MATERIAL:

- Glass reinforced polyester



HEIGHT (mm)	WIDTH (mm)	INSERT	TENSILE STRENGTH	TORQUE	PART NUMBER
25	22	M6	227kg	1.4 Kg Mtrs	I025EN-E
30	30	M6	272kg	1.4 Kg Mtrs	I030EN-E
35	32	M8	295kg	3.5 Kg Mtrs	I035FN-E
40	41	M8	363kg	3.5 Kg Mtrs	I040FN-E
45	46	M8	454kg	3.5 Kg Mtrs	I045FN-E
50	36	M8	409kg	3.5 Kg Mtrs	I050FN-E
50	46	M10	500kg	6.9 Kg Mtrs	I050GN-E
60	60	M10	907kg	6.9 Kg Mtrs	I060GN-E
75	50	M10	680kg	6.9 Kg Mtrs	I075GN-E
50	46	M12	680kg	11.8 Kg Mtrs	I050HN-E
75	50	M12	680kg	11.8 Kg Mtrs	I075HN-E