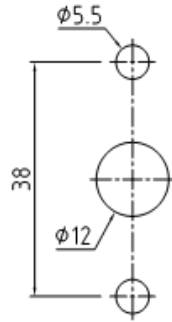
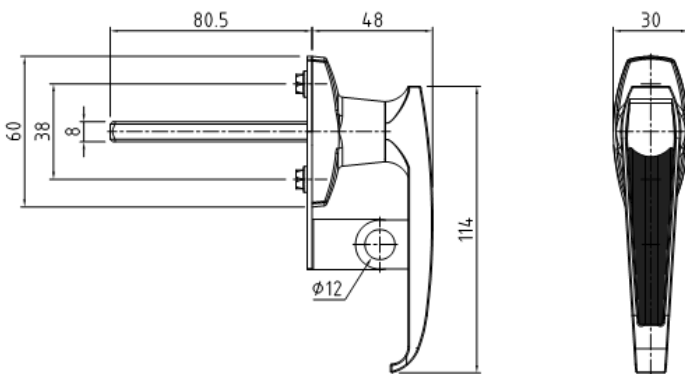


PADLOCKABLE L HANDLE



CUT-OUT



FEATURES:

- Rear fixing
- Park position with “click”
- 90° or 180° rotation, LH or RH application
- High quality chrome plating

MATERIAL & FINISH:

Handle	Zinc Die, Chrome Plated
Housing	Zinc Die, Chrome Plated
Shaft	Mild Steel, Zinc Plated

STANDARD CAMS AVAILABLE:

- [1000-1586](#) Single point
- [1000-1587](#) 3 point with adapters
- [1000-1588](#) 3 point without adapters
- [1000-1592](#) Internal handle
- [P2535](#) Emergency internal handle
- [1000-1589-1200E](#) 2x rods + 3 point cam

Handle & bracket sold separately

Handle

FINISH	ROTATION	PART NUMBER
Chrome plated	LH / RH	ABLU06B

Brackets

MATERIAL	ROTATION	PART NUMBER
Mild steel	LH	PI5151-03
Mild steel	RH	PI5151-03-1
Stainless steel	LH	PI5151-03SS
Stainless steel	RH	PI5151-03-1SS

