

# L HANDLE



## FEATURES:

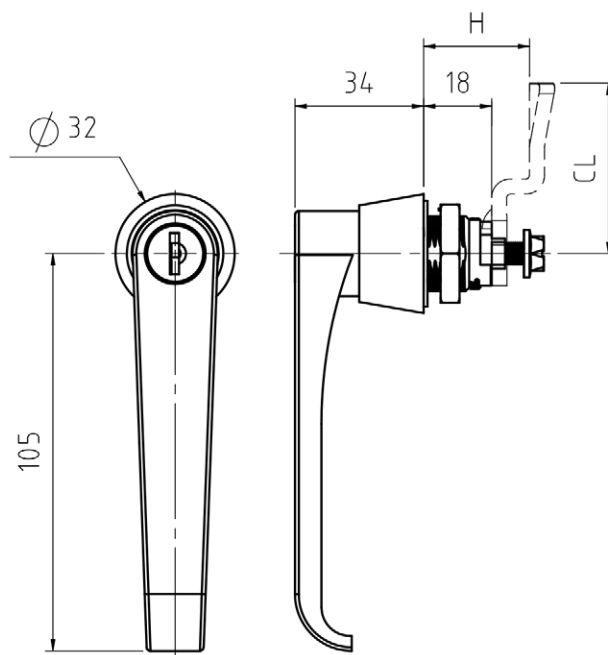
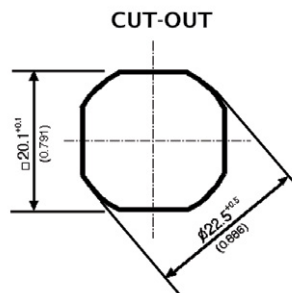
- RH or LH application
- 90° rotation
- Key locking and non locking option available
- IP65 rated

## MATERIAL & FINISH:

Housing Zinc die, Chrome plated  
 Nut Zinc die, Zinc plated  
 Handle Zinc die, Chrome plated

## CAMS AVAILABLE:

- Single point cam with various 'H' dimensions (refer to [page 1-14](#) when ordering)
- 3 point cams with various 'H' dimensions (refer to [page 3-7](#) when ordering)



KEY NUMBER	PART NUMBER
CL001	M111-1-1-CL001-00
92268	M111-1-1-92268-00

\* CAM ordered separately